

SYSTEM WIRING DIAGRAMS

Article Text

1996 Volkswagen Passat

For <http://volkswagen.msk.ru>

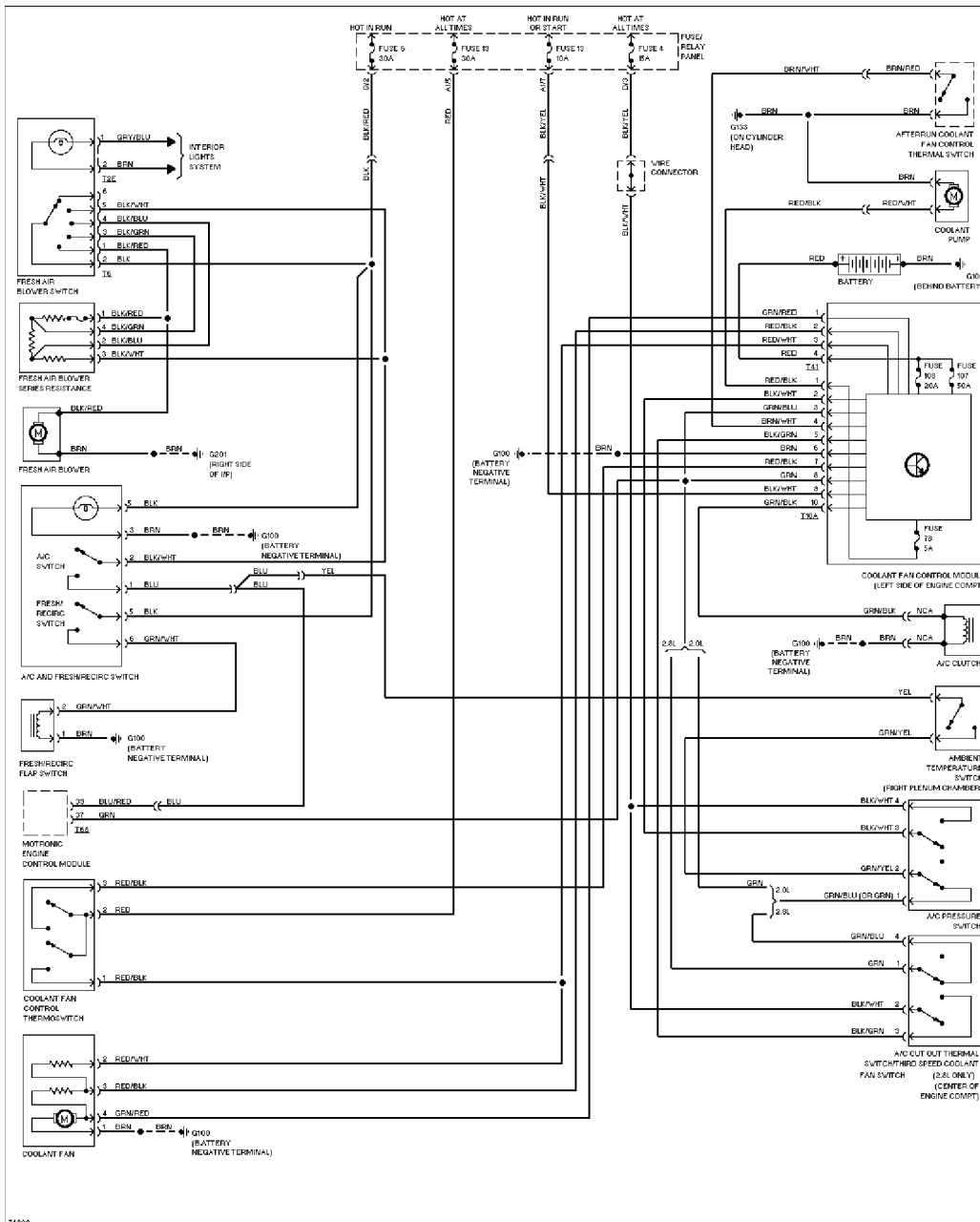
Copyright © 1998 Mitchell Repair Information Company, LLC

Sunday, January 28, 2001 11:45PM

ARTICLE BEGINNING

1996 System Wiring Diagrams
Volkswagen - Passat

AIR CONDITIONING



Air Conditioning Circuits

ANTI-LOCK BRAKES

SYSTEM WIRING DIAGRAMS

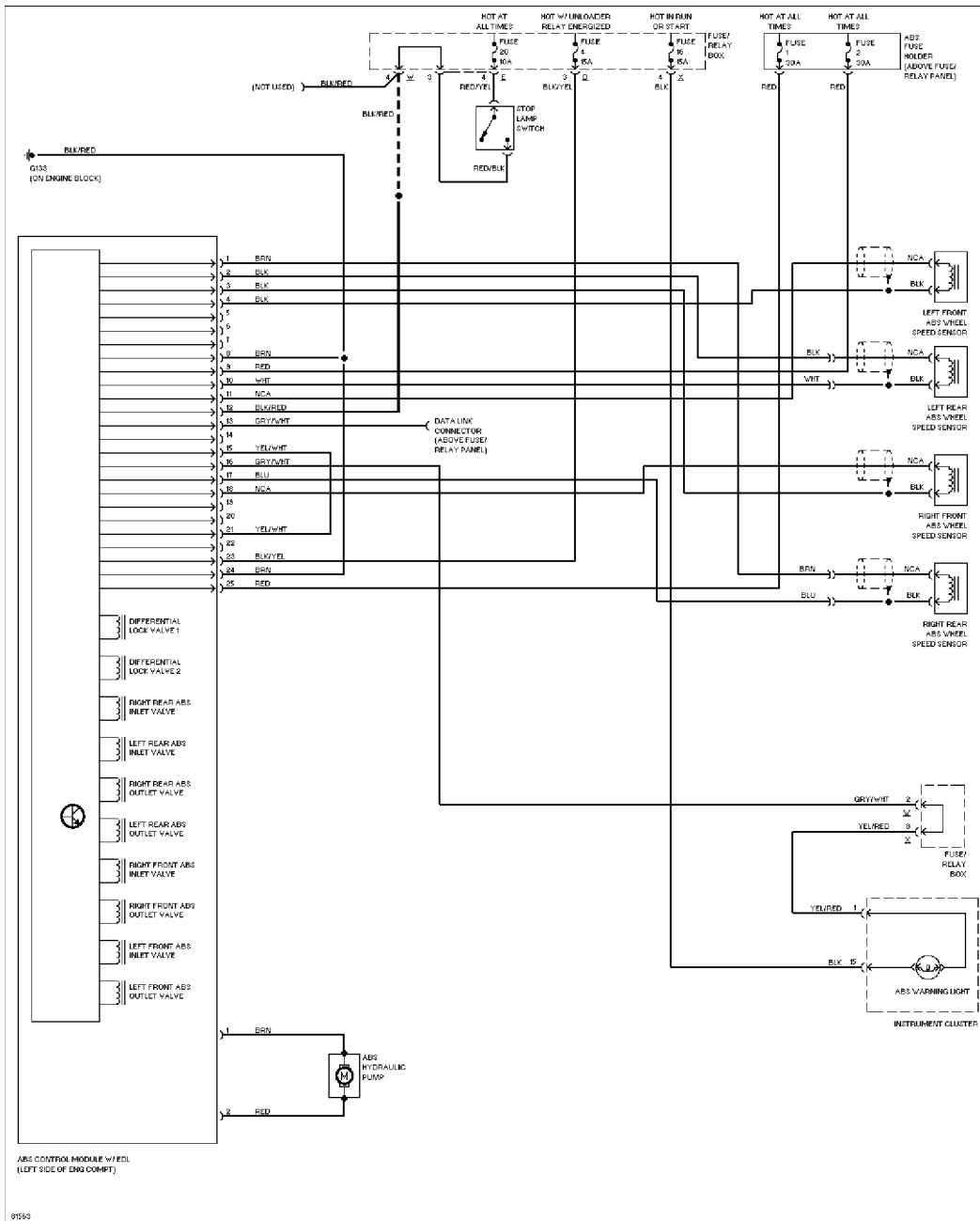
Article Text (p. 2)

1996 Volkswagen Passat

For <http://volkswagen.msk.ru>

Copyright © 1998 Mitchell Repair Information Company, LLC

Sunday, January 28, 2001 11:45PM



Anti-lock Brake Circuits

ANTI-THEFT

SYSTEM WIRING DIAGRAMS

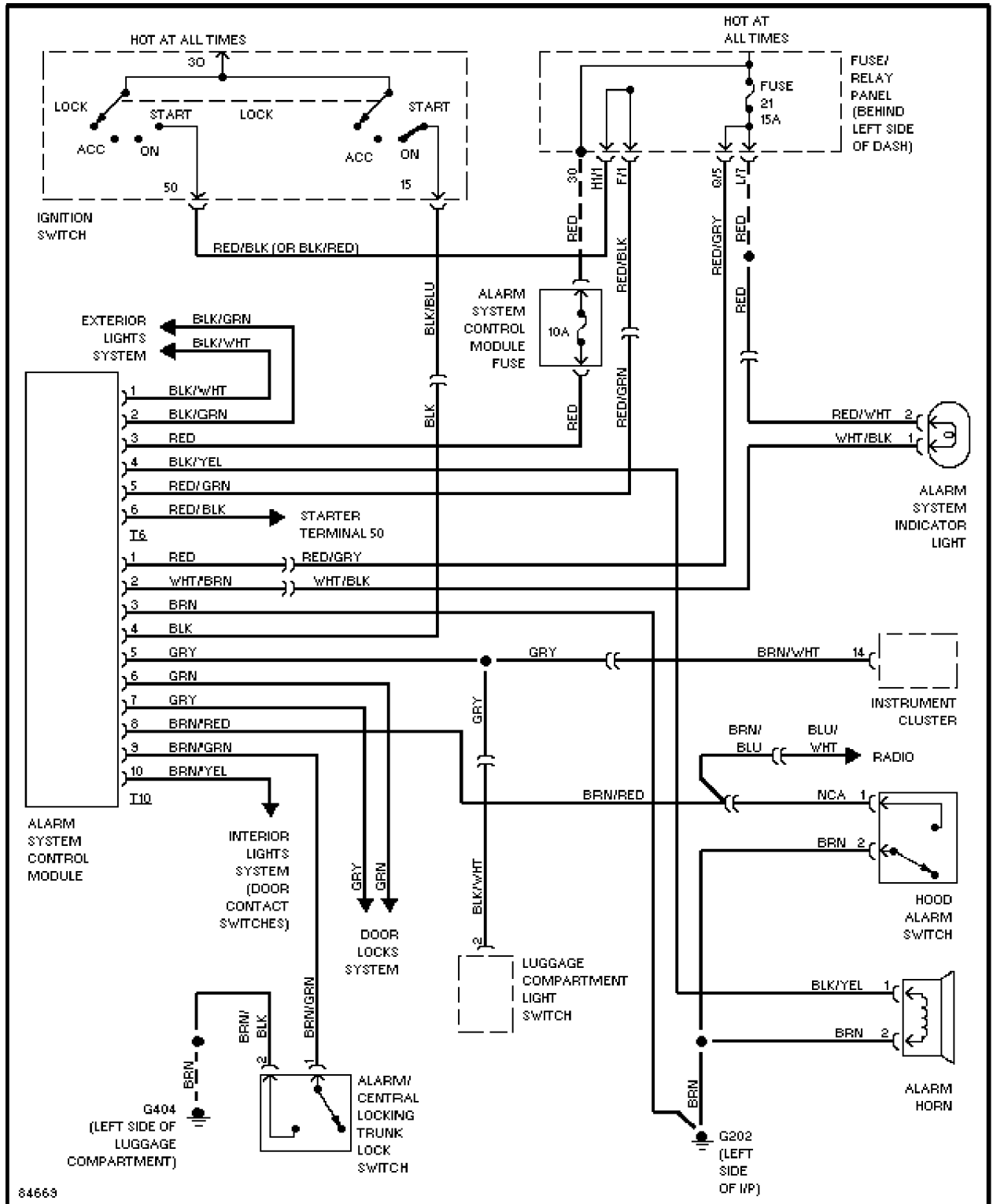
Article Text (p. 3)

1996 Volkswagen Passat

For <http://volkswagen.msk.ru>

Copyright © 1998 Mitchell Repair Information Company, LLC

Sunday, January 28, 2001 11:45PM



Anti-theft Circuit

COMPUTER DATA LINES

SYSTEM WIRING DIAGRAMS

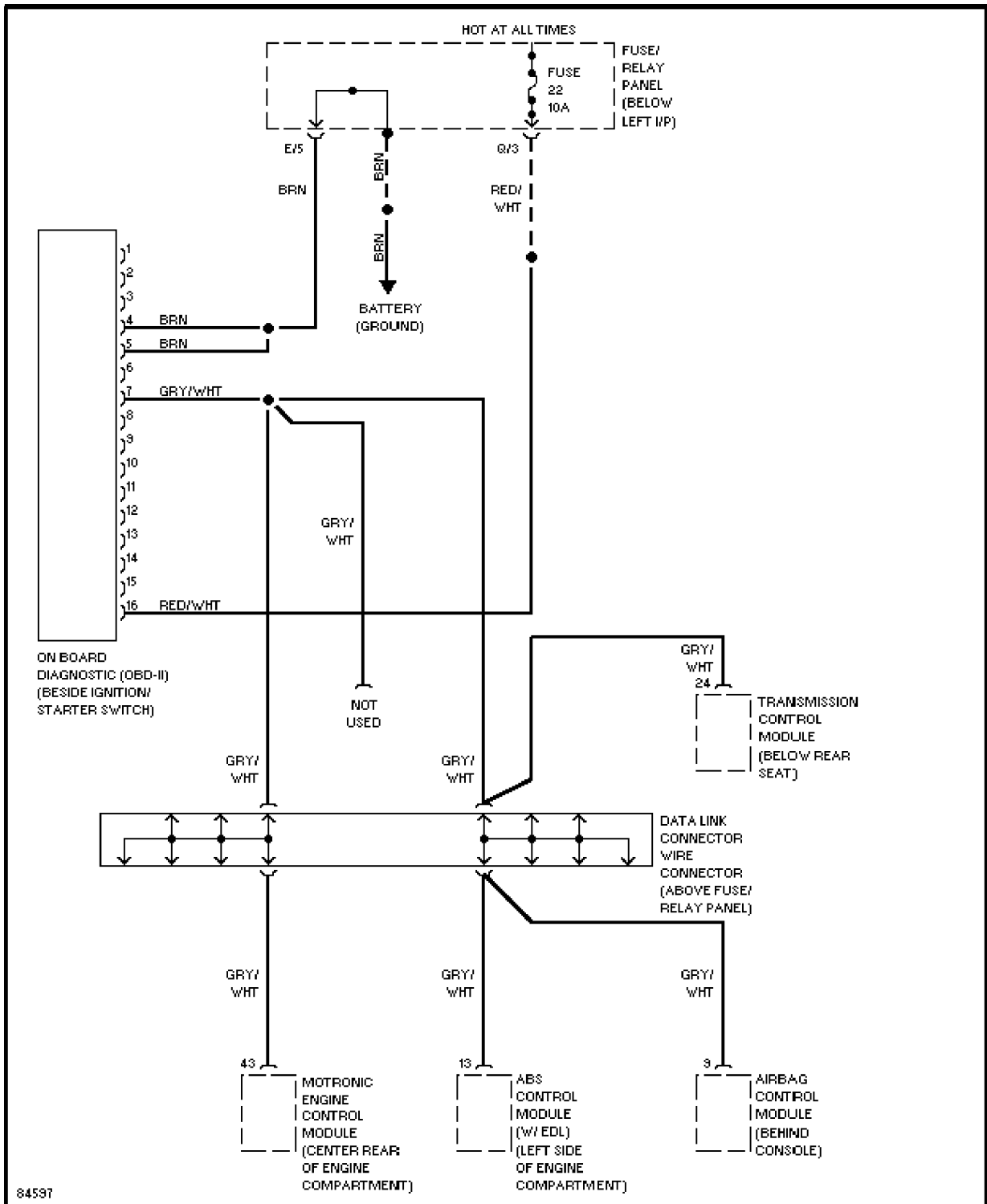
Article Text (p. 4)

1996 Volkswagen Passat

For <http://volkswagen.msk.ru>

Copyright © 1998 Mitchell Repair Information Company, LLC

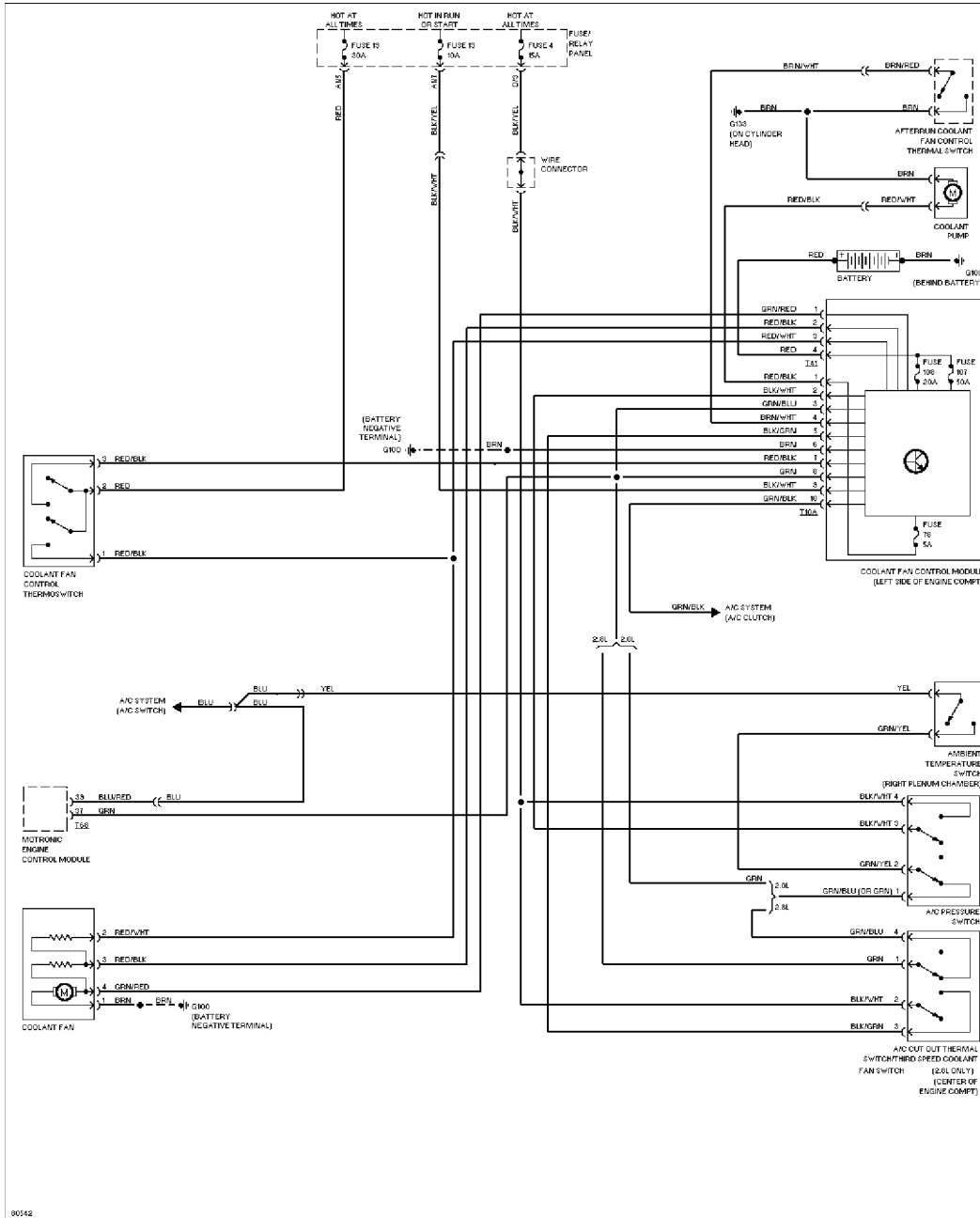
Sunday, January 28, 2001 11:45PM



Computer Data Lines

COOLING FAN

SYSTEM WIRING DIAGRAMS
Article Text (p. 5)
 1996 Volkswagen Passat
 For <http://volkswagen.msk.ru>
 Copyright © 1998 Mitchell Repair Information Company, LLC
 Sunday, January 28, 2001 11:45PM



Cooling Fan Circuit

CRUISE CONTROL

SYSTEM WIRING DIAGRAMS

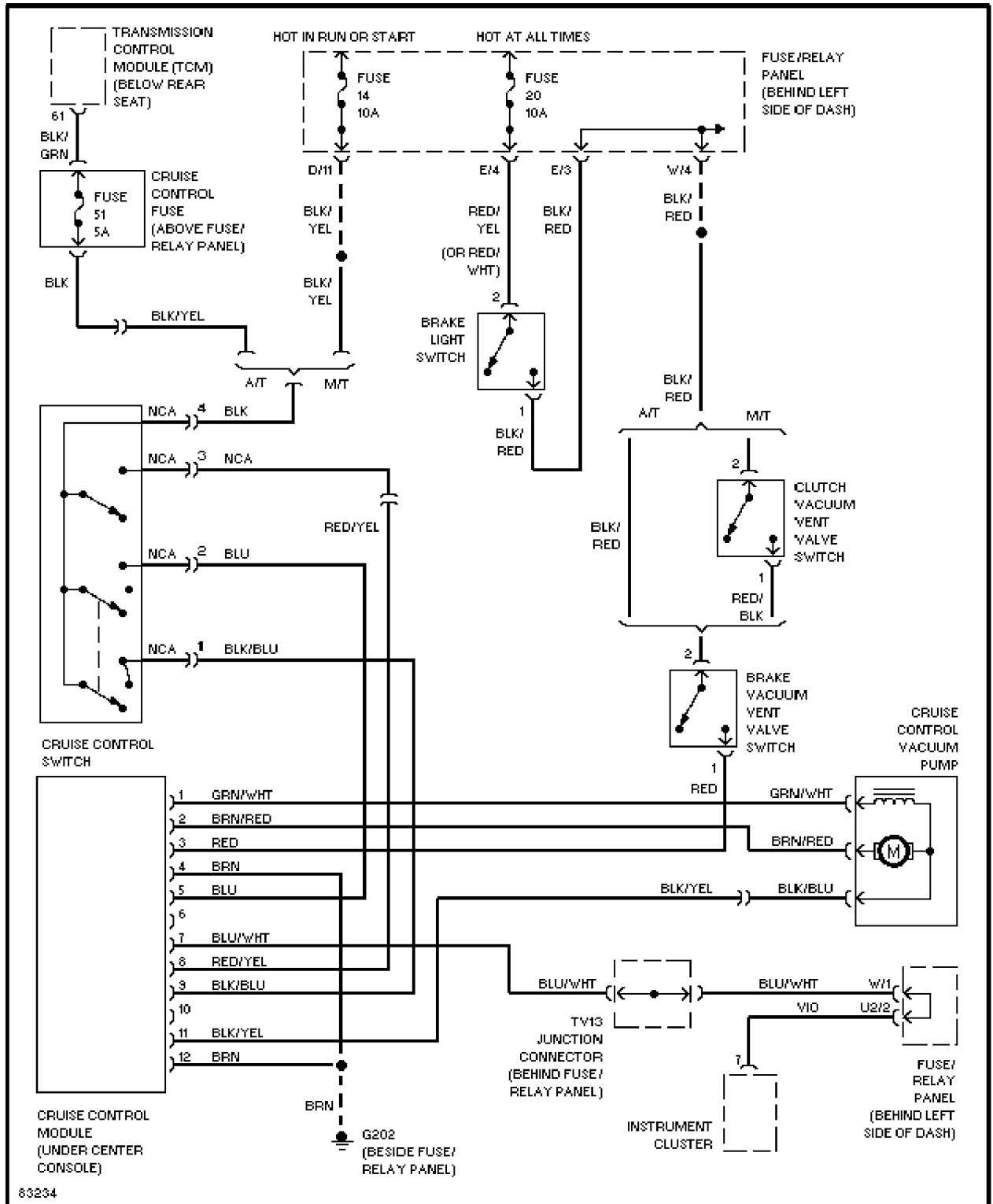
Article Text (p. 6)

1996 Volkswagen Passat

For <http://volkswagen.msk.ru>

Copyright © 1998 Mitchell Repair Information Company, LLC

Sunday, January 28, 2001 11:45PM



Cruise Control Circuit

DEFOGGERS

SYSTEM WIRING DIAGRAMS

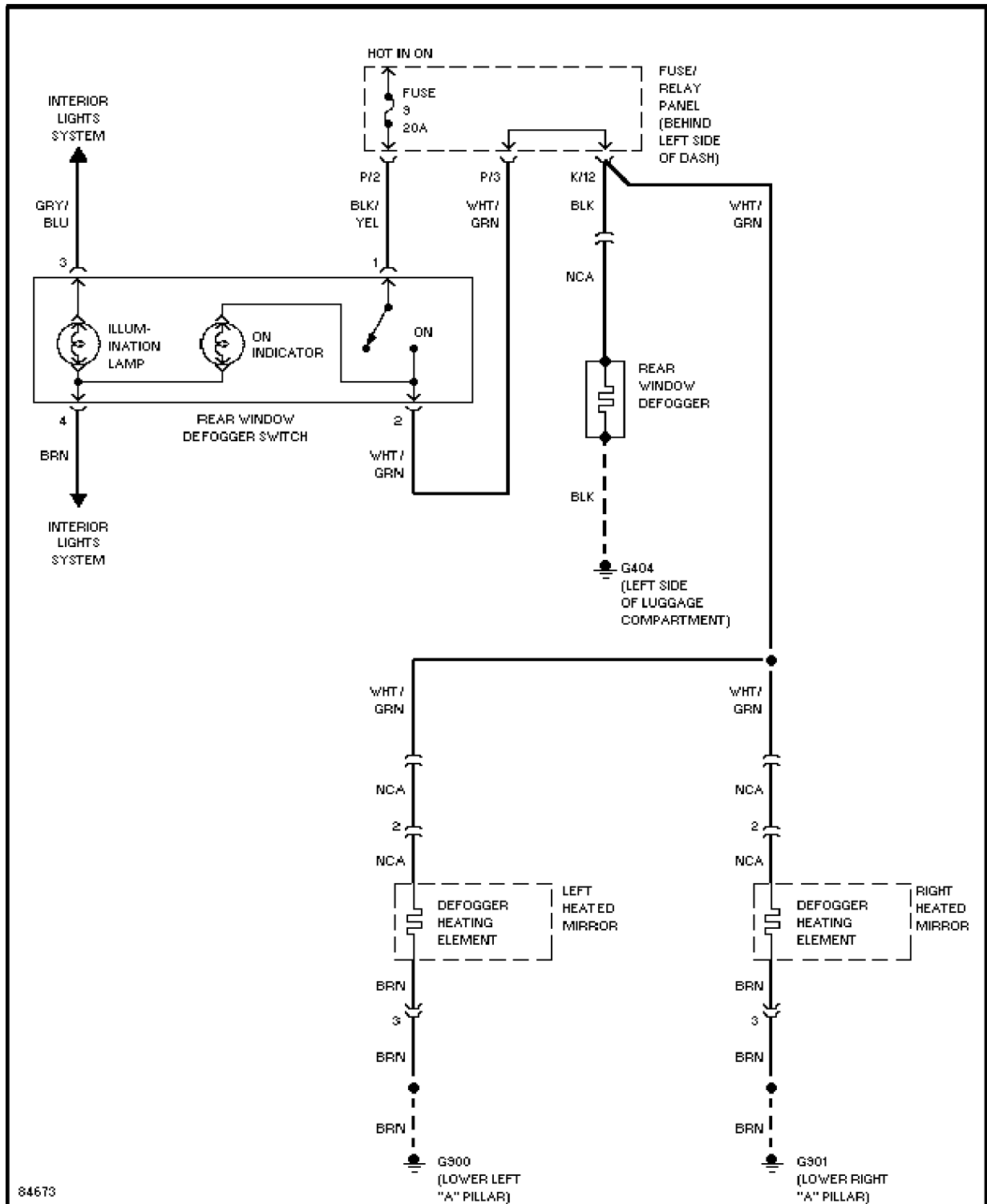
Article Text (p. 7)

1996 Volkswagen Passat

For <http://volkswagen.msk.ru>

Copyright © 1998 Mitchell Repair Information Company, LLC

Sunday, January 28, 2001 11:45PM



Defogger Circuit

ENGINE PERFORMANCE

SYSTEM WIRING DIAGRAMS

Article Text (p. 8)

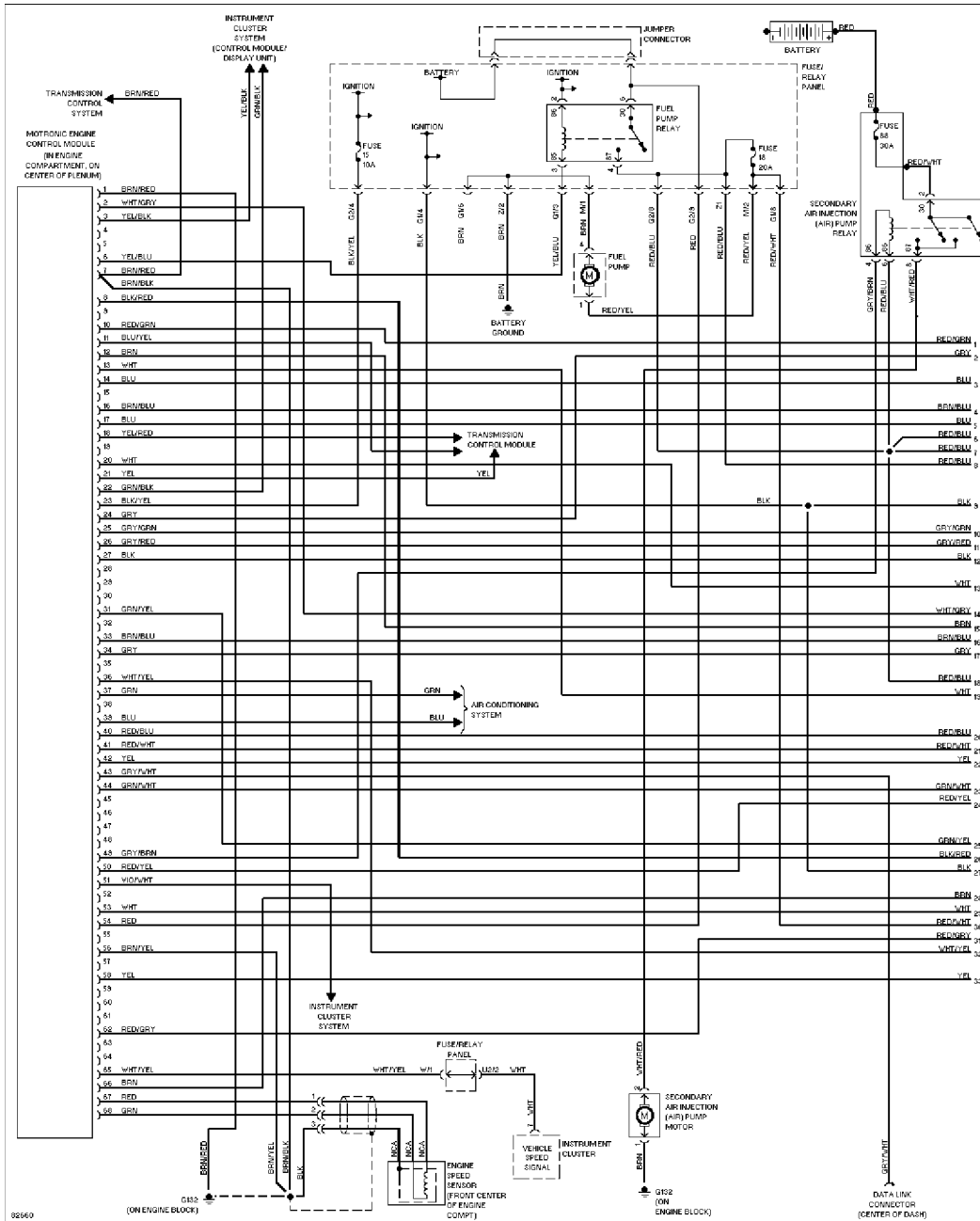
1996 Volkswagen Passat

For <http://volkswagen.msk.ru>

Copyright © 1998 Mitchell Repair Information Company, LLC

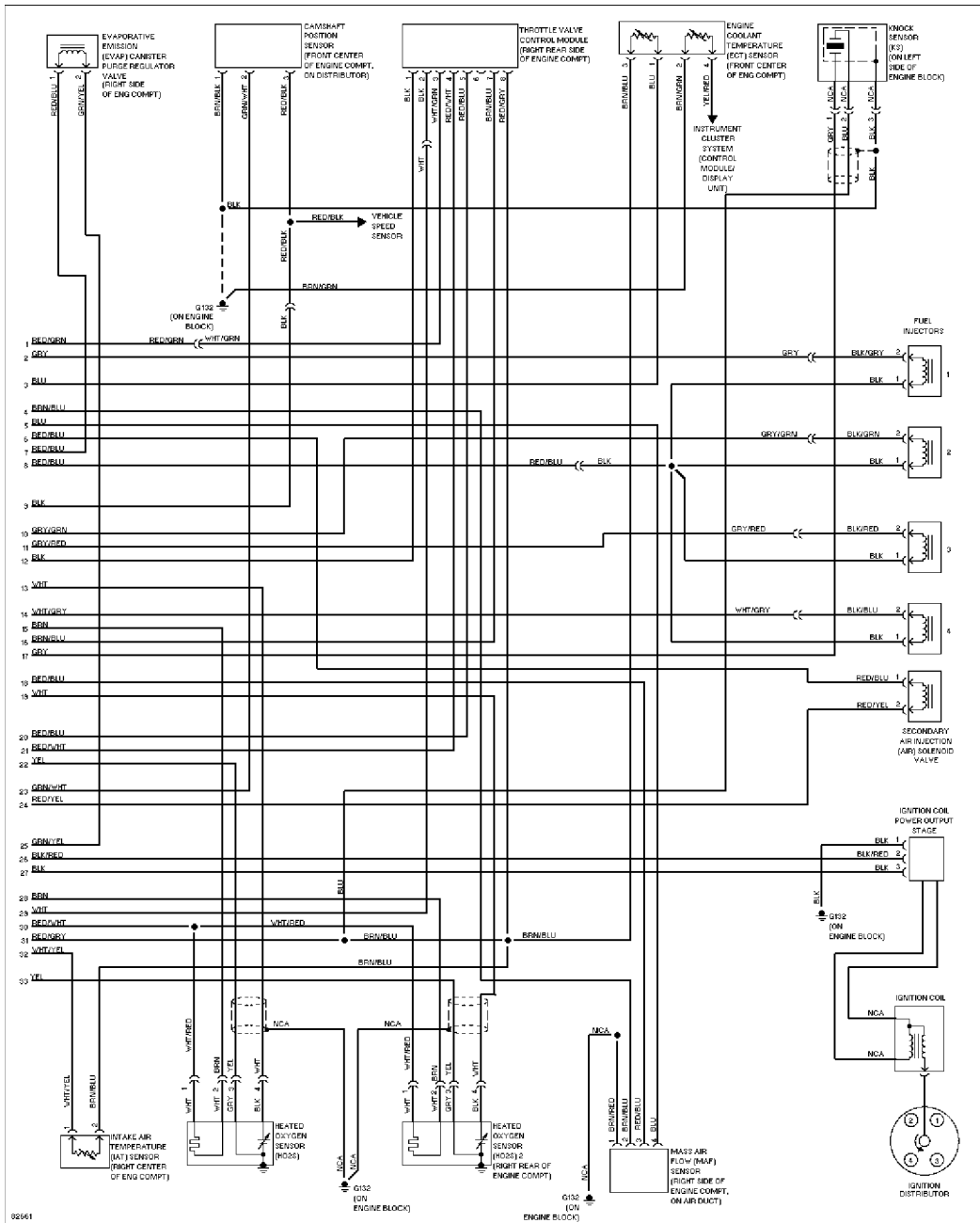
Sunday, January 28, 2001 11:45PM

2.0L



2.0L, Engine Performance Circuits (1 of 2)

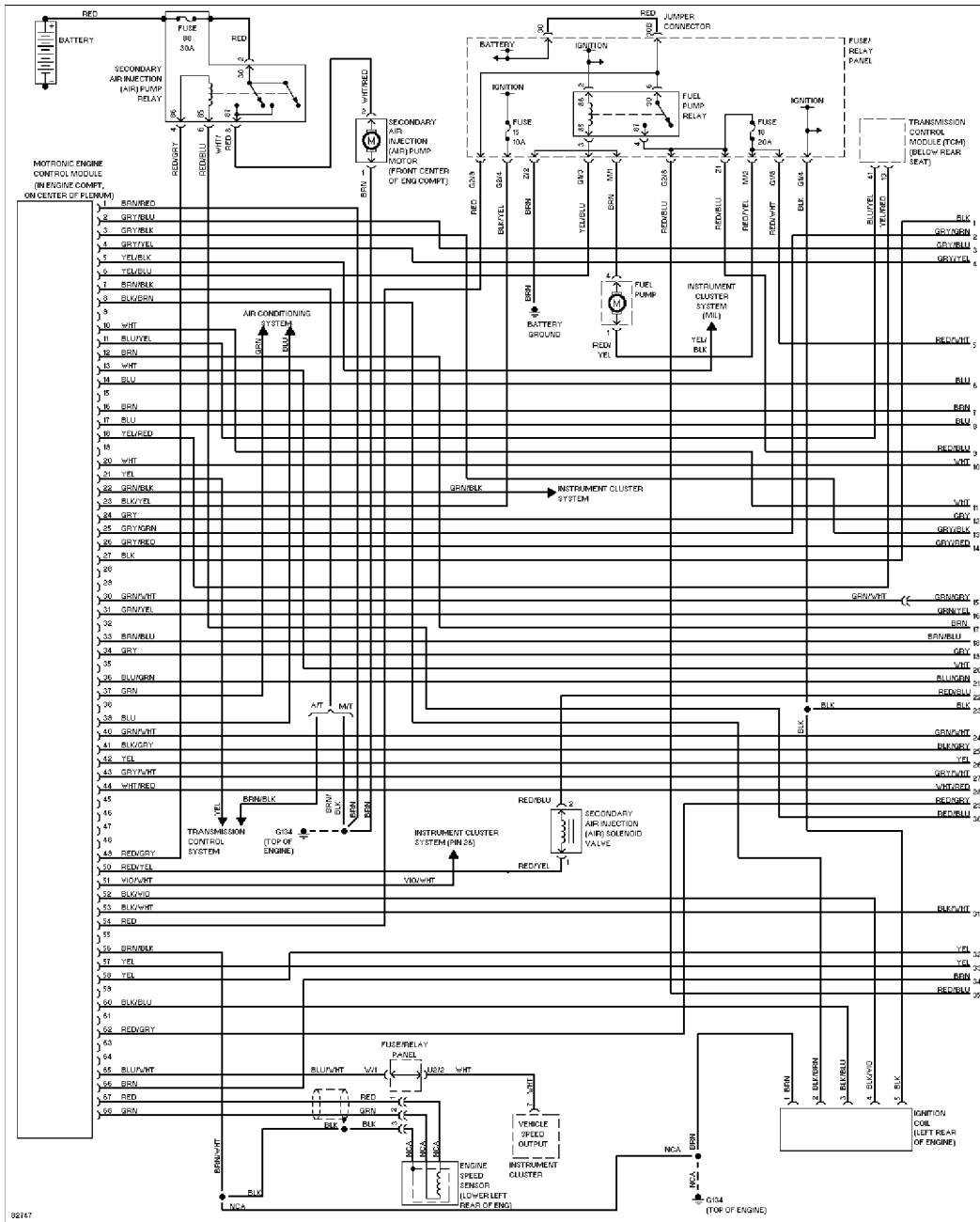
SYSTEM WIRING DIAGRAMS
Article Text (p. 9)
 1996 Volkswagen Passat
 For <http://volkswagen.msk.ru>
 Copyright © 1998 Mitchell Repair Information Company, LLC
 Sunday, January 28, 2001 11:45PM



2.0L, Engine Performance Circuits (2 of 2)

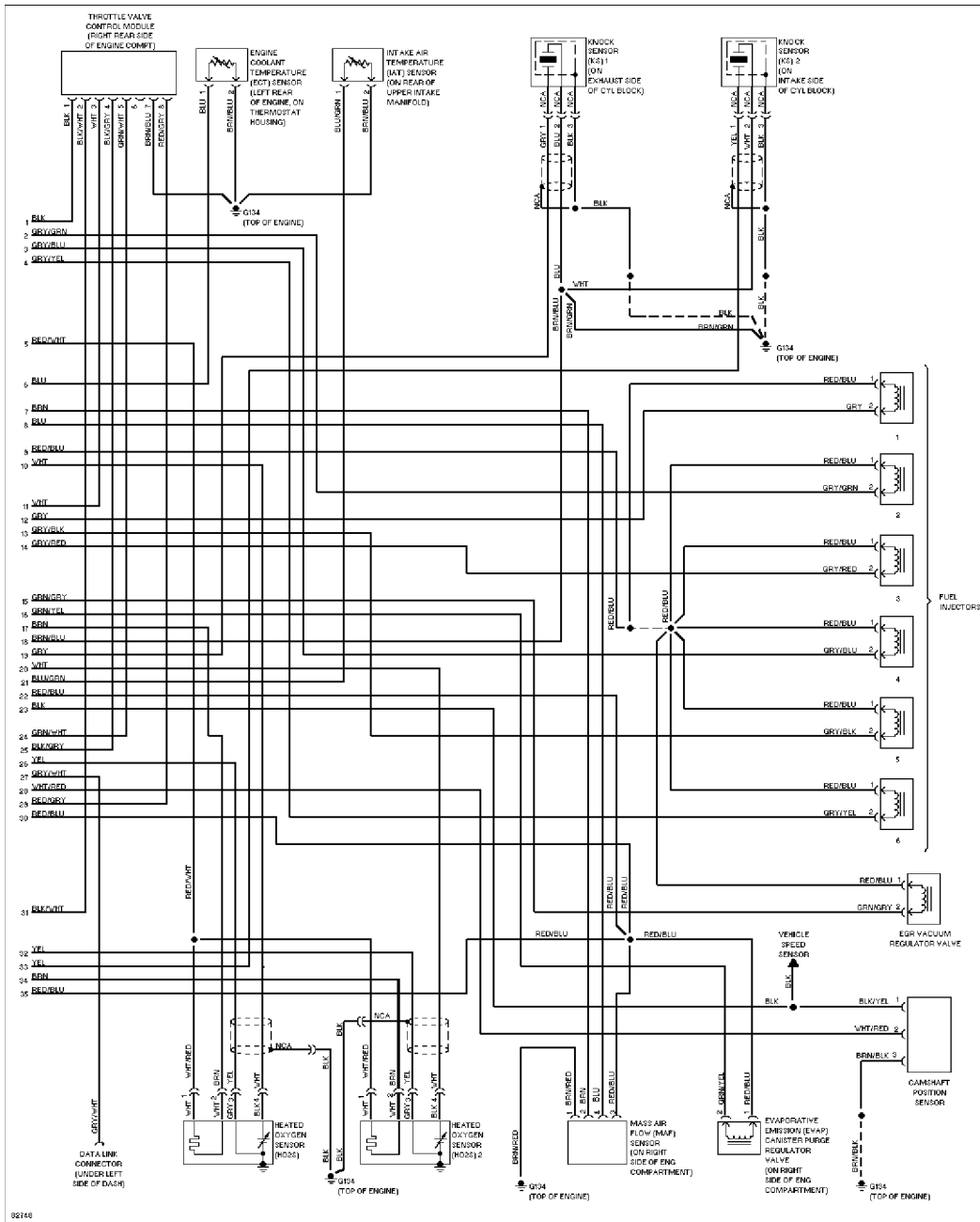
2.8L

SYSTEM WIRING DIAGRAMS
Article Text (p. 10)
 1996 Volkswagen Passat
 For <http://volkswagen.msk.ru>
 Copyright © 1998 Mitchell Repair Information Company, LLC
 Sunday, January 28, 2001 11:45PM



2.8L, Engine Performance Circuits (1 of 2)

SYSTEM WIRING DIAGRAMS
Article Text (p. 11)
 1996 Volkswagen Passat
 For <http://volkswagen.msk.ru>
 Copyright © 1998 Mitchell Repair Information Company, LLC
 Sunday, January 28, 2001 11:45PM



2.8L, Engine Performance Circuits (2 of 2)

EXTERIOR LIGHTS

SYSTEM WIRING DIAGRAMS

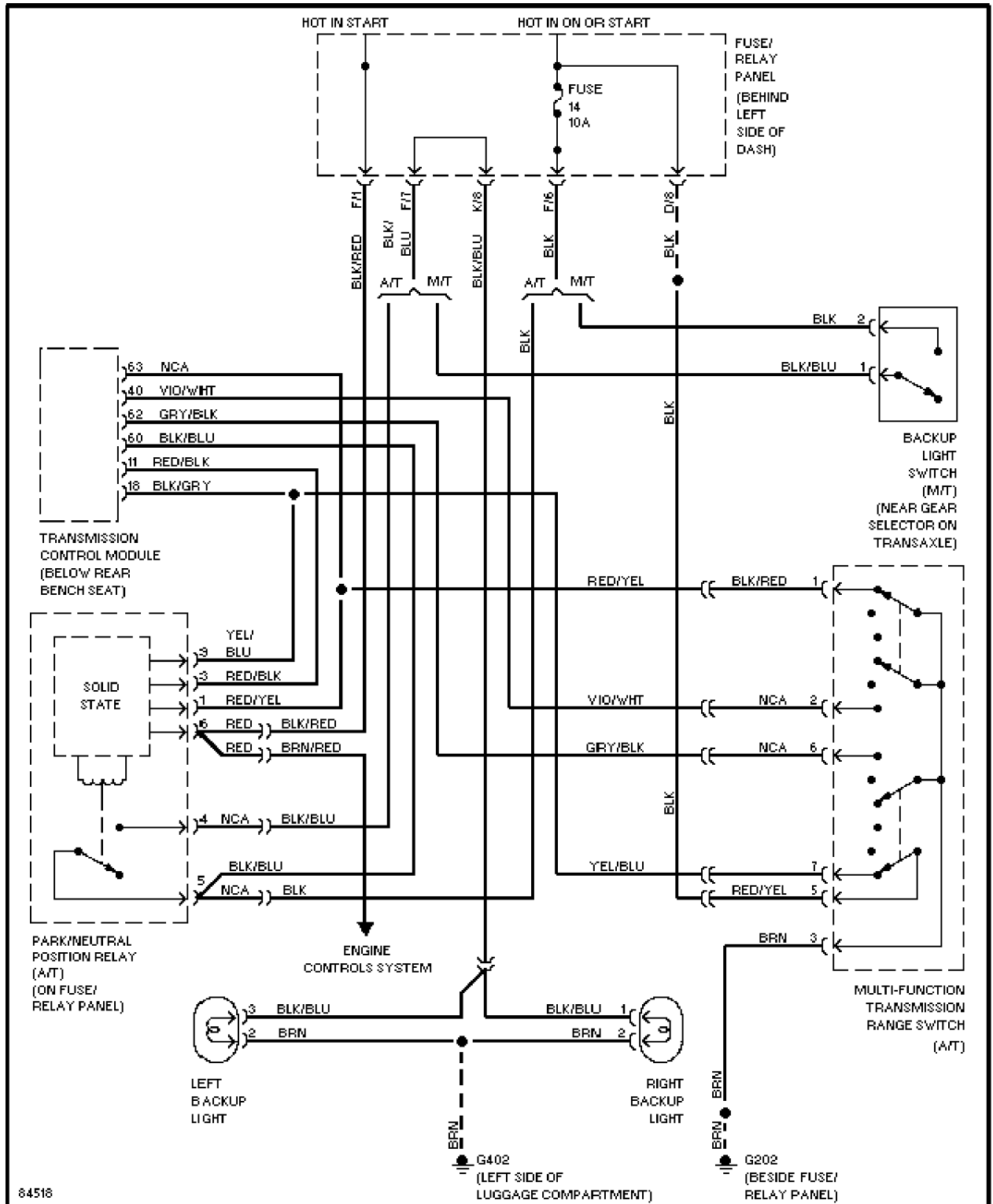
Article Text (p. 12)

1996 Volkswagen Passat

For <http://volkswagen.msk.ru>

Copyright © 1998 Mitchell Repair Information Company, LLC

Sunday, January 28, 2001 11:45PM



Back-up Lamps Circuit

SYSTEM WIRING DIAGRAMS

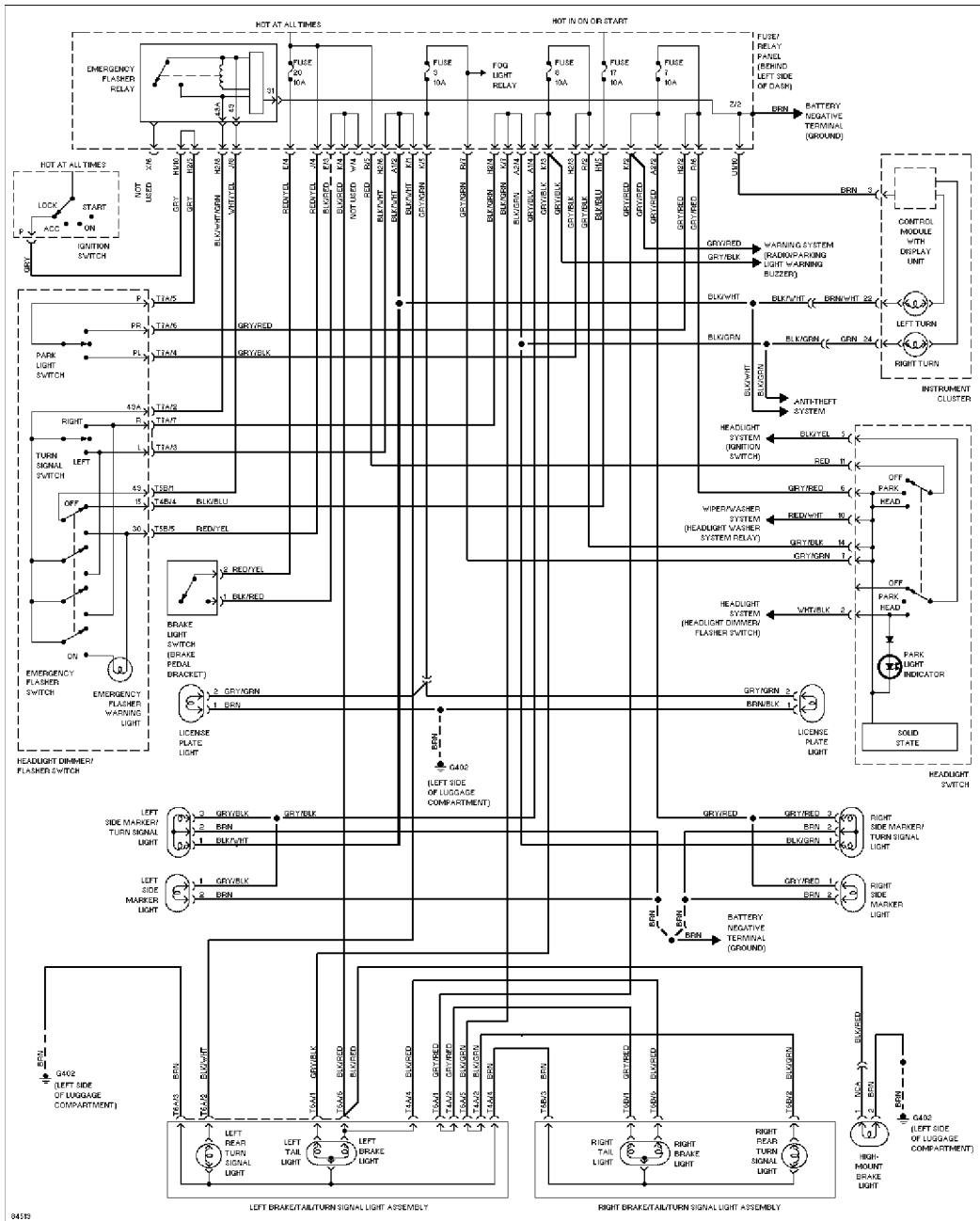
Article Text (p. 13)

1996 Volkswagen Passat

For <http://volkswagen.msk.ru>

Copyright © 1998 Mitchell Repair Information Company, LLC

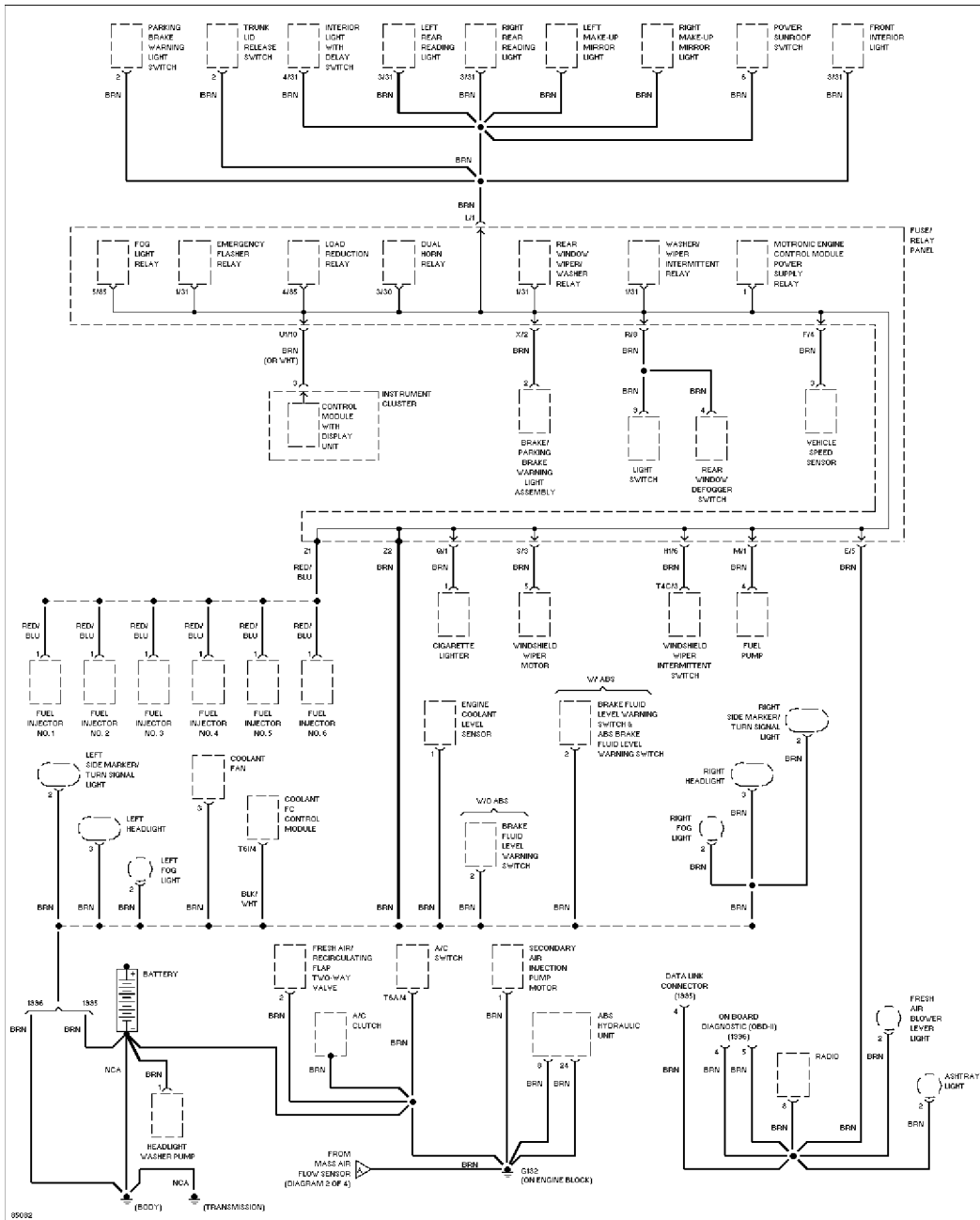
Sunday, January 28, 2001 11:45PM



Exterior Lamps Circuit

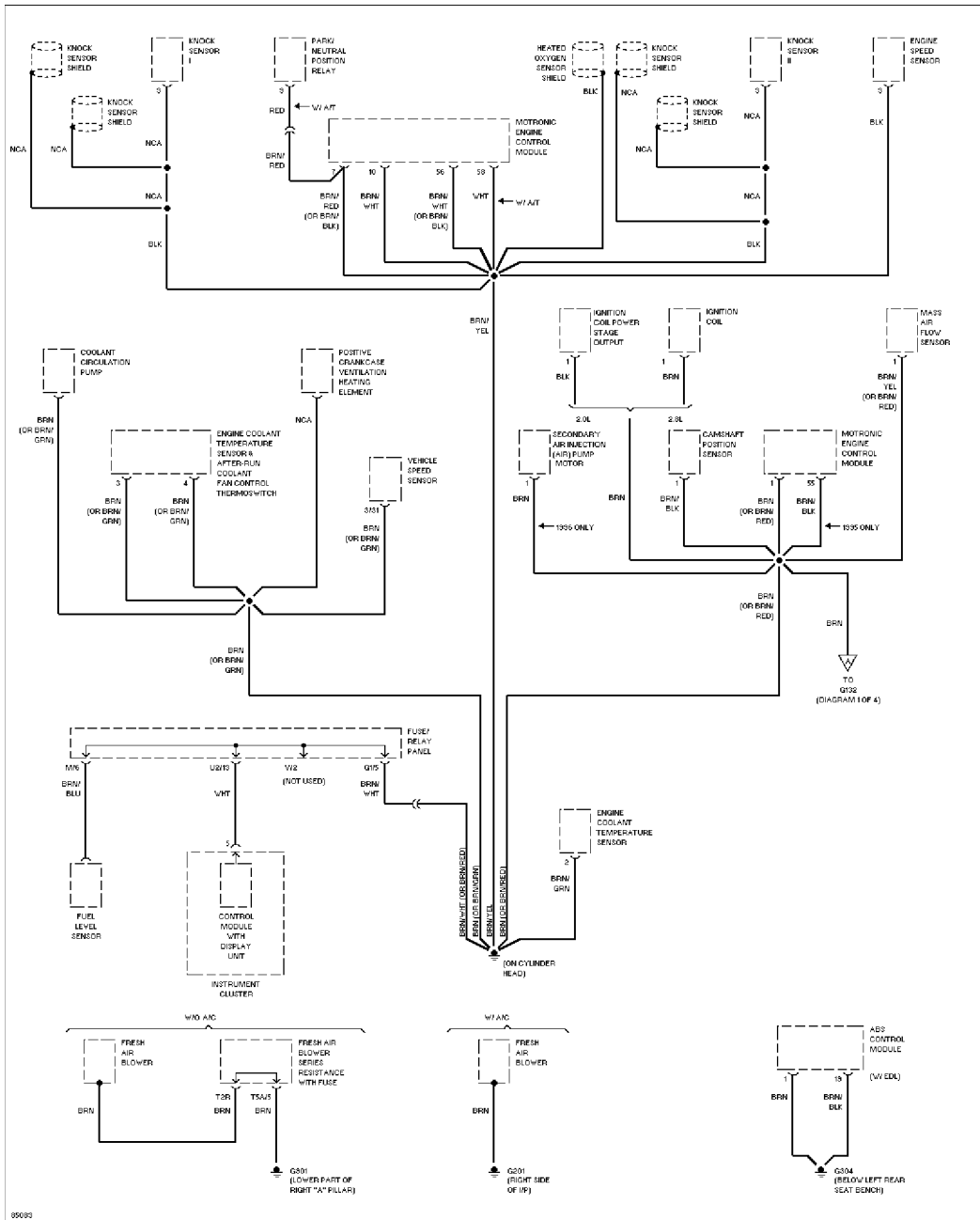
GROUND DISTRIBUTION

SYSTEM WIRING DIAGRAMS
Article Text (p. 14)
 1996 Volkswagen Passat
 For <http://volkswagen.msk.ru>
 Copyright © 1998 Mitchell Repair Information Company, LLC
 Sunday, January 28, 2001 11:45PM



Ground Distribution Circuit (1 of 4)

SYSTEM WIRING DIAGRAMS
Article Text (p. 15)
 1996 Volkswagen Passat
 For <http://volkswagen.msk.ru>
 Copyright © 1998 Mitchell Repair Information Company, LLC
 Sunday, January 28, 2001 11:45PM



Ground Distribution Circuit (2 of 4)

SYSTEM WIRING DIAGRAMS

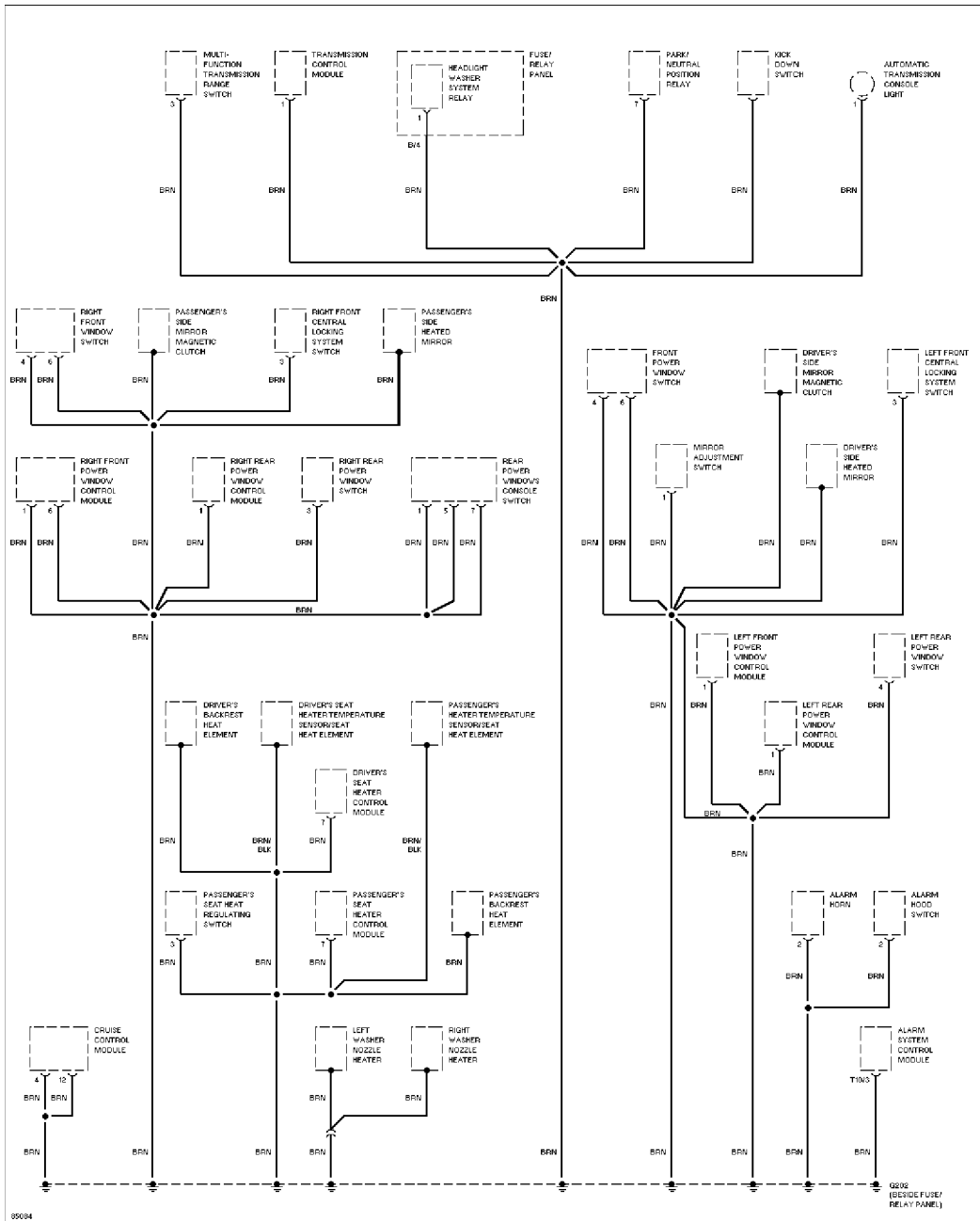
Article Text (p. 16)

1996 Volkswagen Passat

For <http://volkswagen.msk.ru>

Copyright © 1998 Mitchell Repair Information Company, LLC

Sunday, January 28, 2001 11:45PM



Ground Distribution Circuit (3 of 4)

SYSTEM WIRING DIAGRAMS

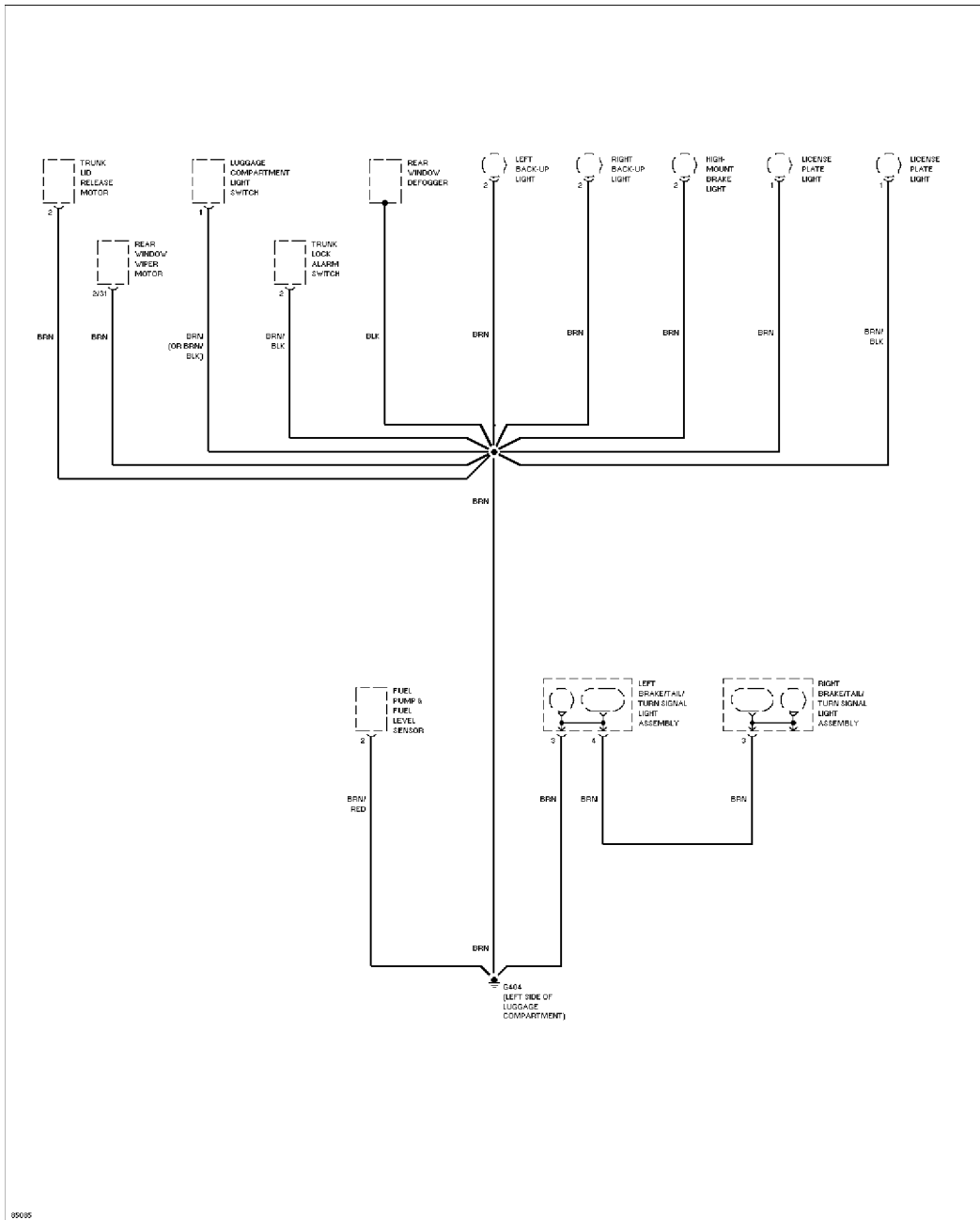
Article Text (p. 17)

1996 Volkswagen Passat

For <http://volkswagen.msk.ru>

Copyright © 1998 Mitchell Repair Information Company, LLC

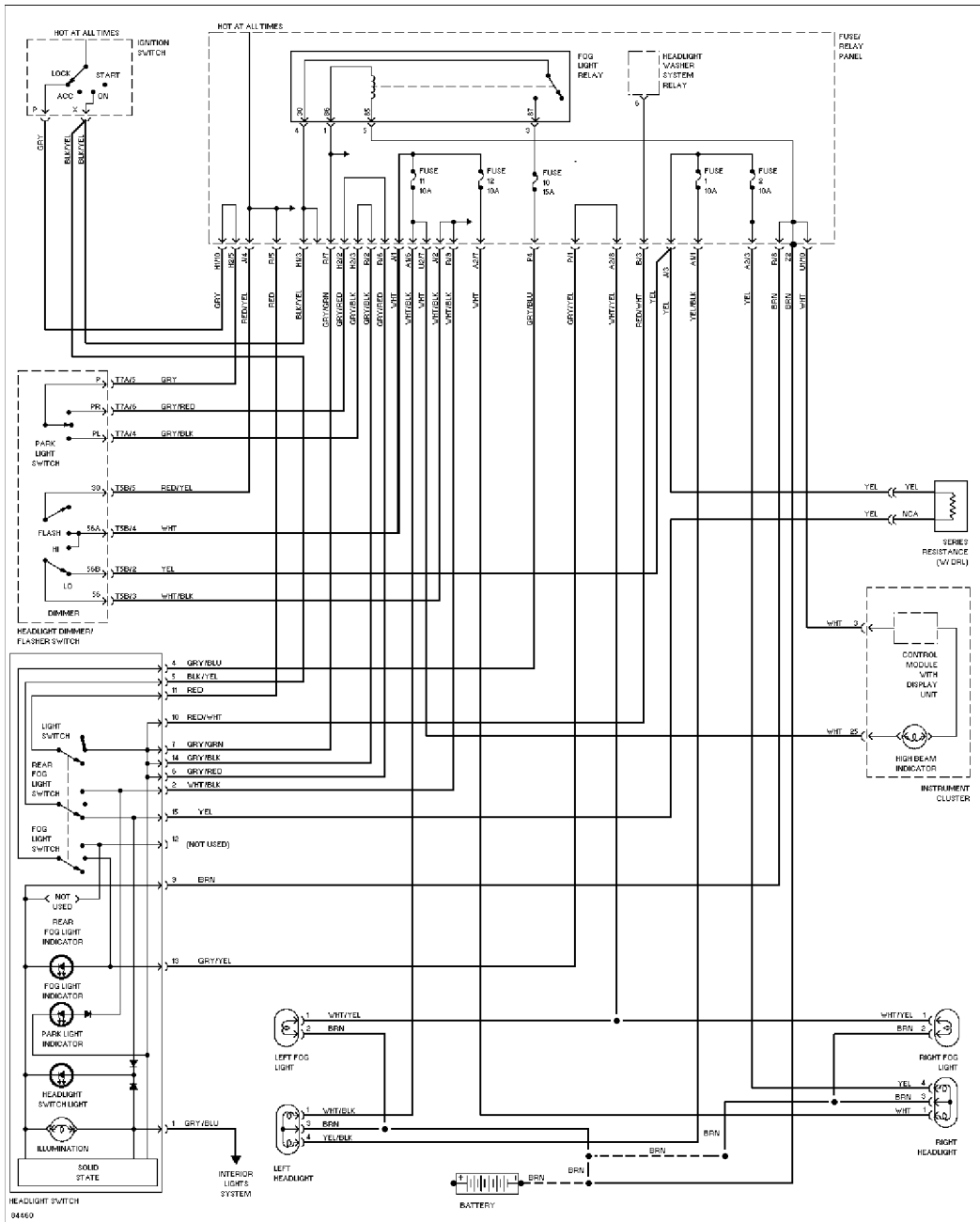
Sunday, January 28, 2001 11:45PM



Ground Distribution Circuit (4 of 4)

HEADLIGHTS

SYSTEM WIRING DIAGRAMS
Article Text (p. 18)
 1996 Volkswagen Passat
 For <http://volkswagen.msk.ru>
 Copyright © 1998 Mitchell Repair Information Company, LLC
 Sunday, January 28, 2001 11:45PM



Headlight Circuit

HORN

SYSTEM WIRING DIAGRAMS

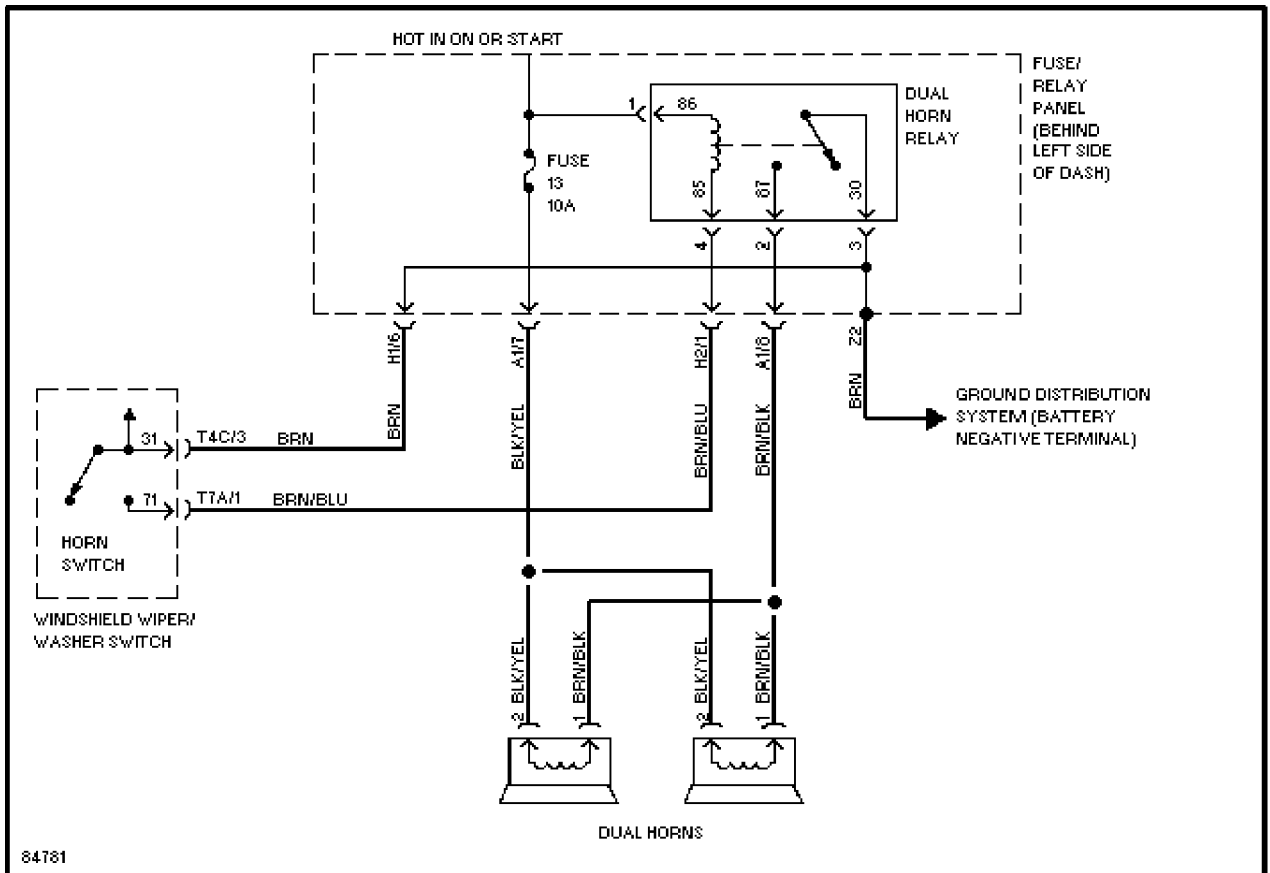
Article Text (p. 19)

1996 Volkswagen Passat

For <http://volkswagen.msk.ru>

Copyright © 1998 Mitchell Repair Information Company, LLC

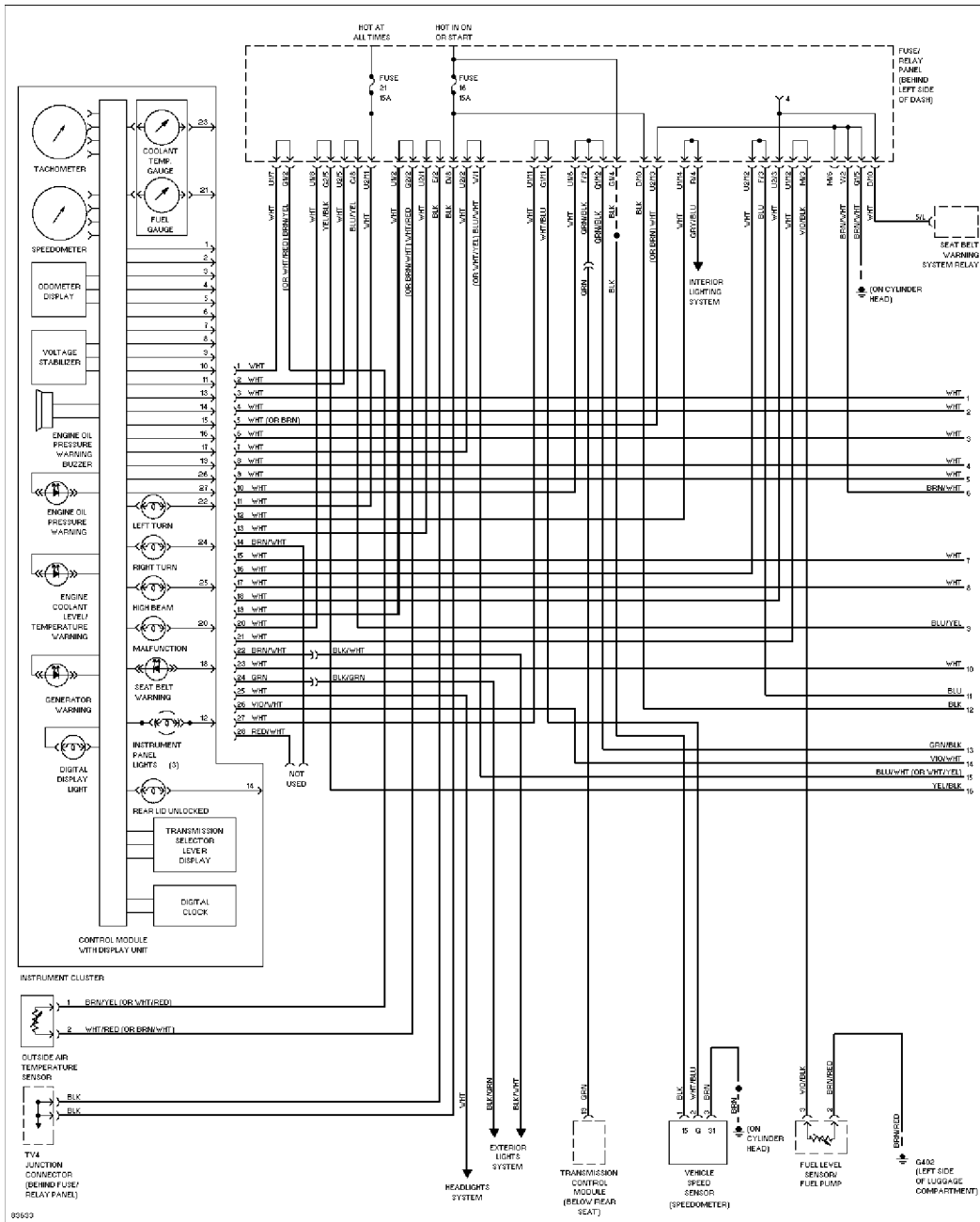
Sunday, January 28, 2001 11:45PM



Horn Circuit

INSTRUMENT CLUSTER

SYSTEM WIRING DIAGRAMS
Article Text (p. 20)
 1996 Volkswagen Passat
 For <http://volkswagen.msk.ru>
 Copyright © 1998 Mitchell Repair Information Company, LLC
 Sunday, January 28, 2001 11:45PM



Instrument Cluster Circuit (1 of 2)

SYSTEM WIRING DIAGRAMS

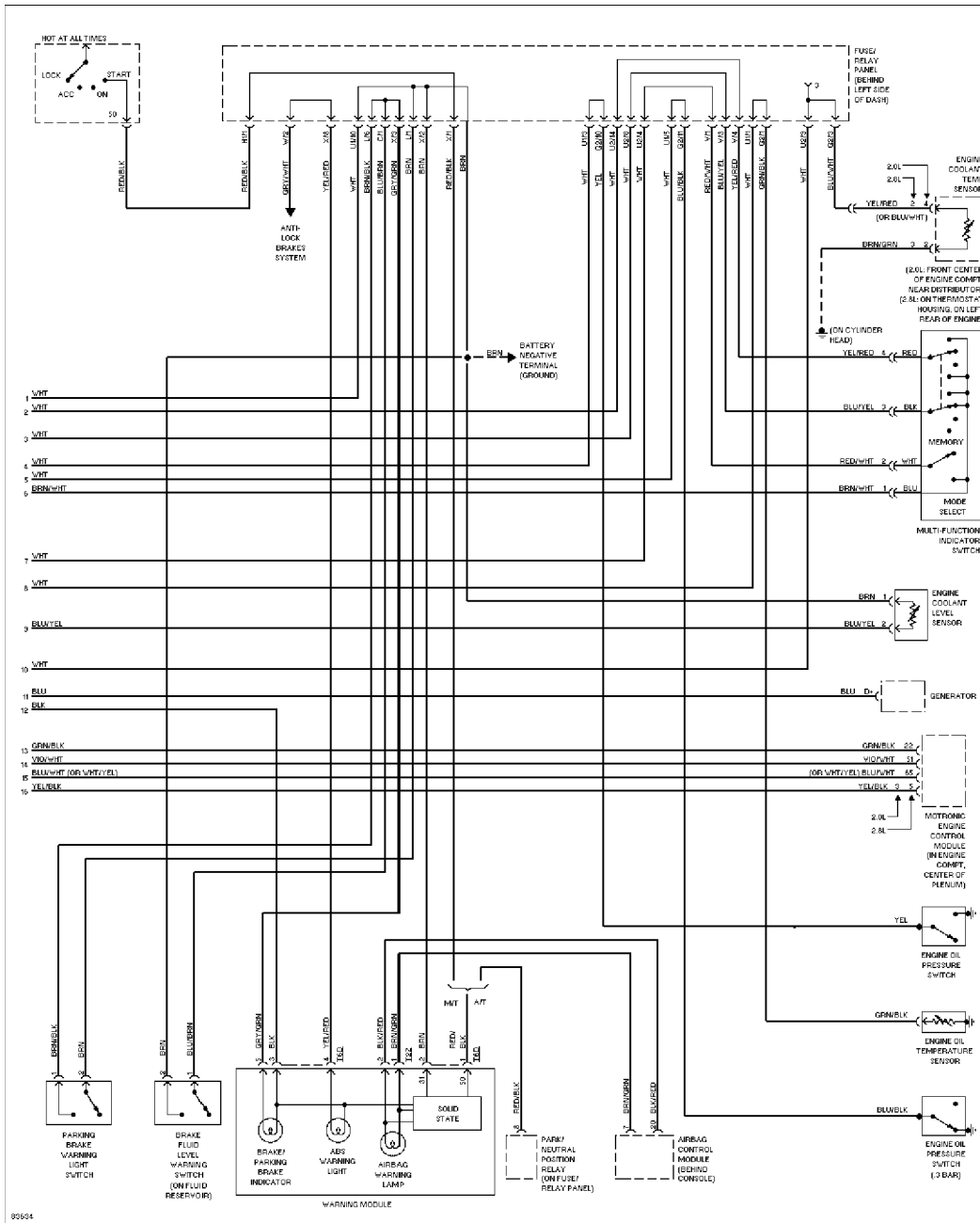
Article Text (p. 21)

1996 Volkswagen Passat

For <http://volkswagen.msk.ru>

Copyright © 1998 Mitchell Repair Information Company, LLC

Sunday, January 28, 2001 11:45PM



Instrument Cluster Circuit (2 of 2)

INTERIOR LIGHTS

SYSTEM WIRING DIAGRAMS

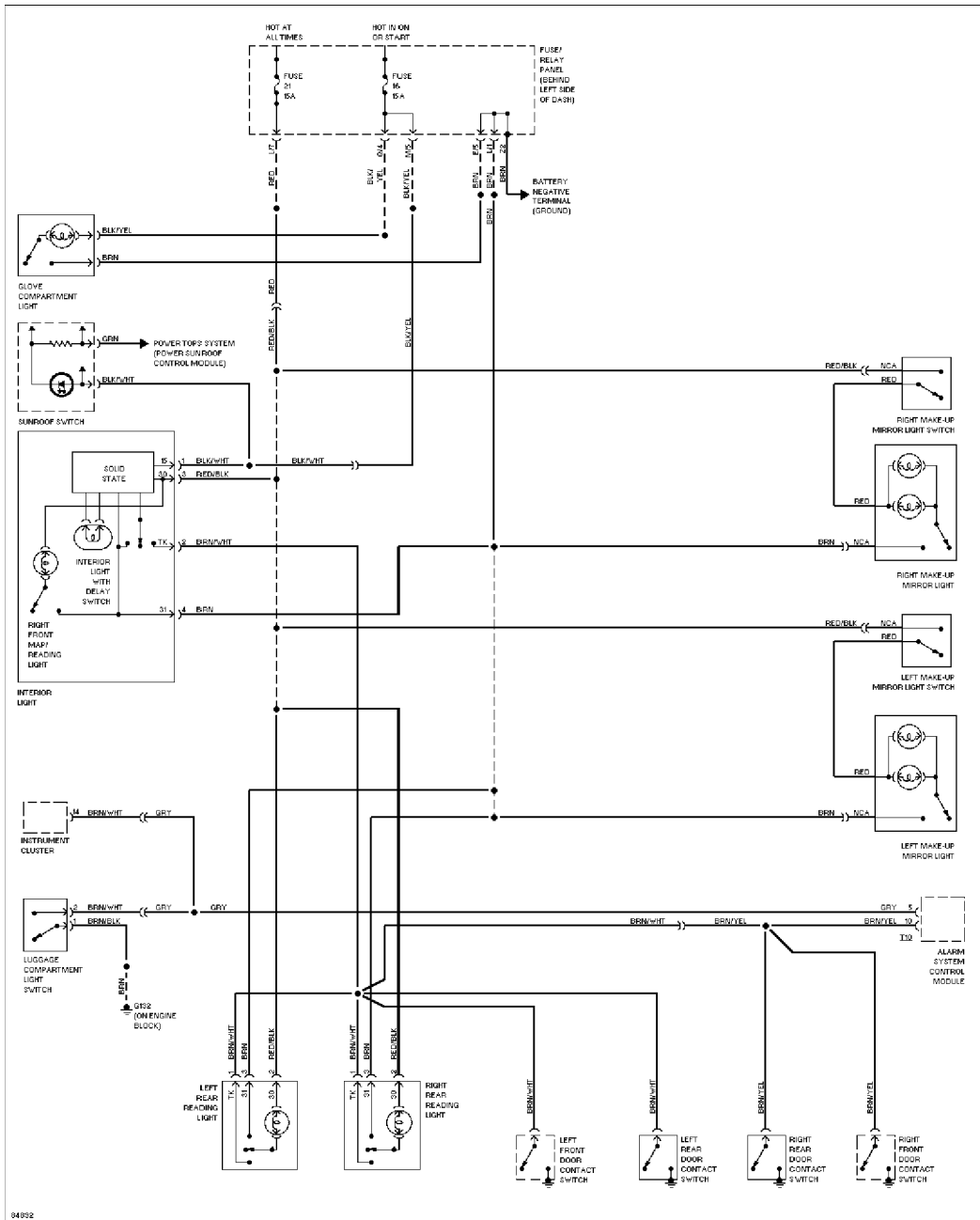
Article Text (p. 22)

1996 Volkswagen Passat

For <http://volkswagen.msk.ru>

Copyright © 1998 Mitchell Repair Information Company, LLC

Sunday, January 28, 2001 11:45PM



Courtesy Lamp Circuit

SYSTEM WIRING DIAGRAMS

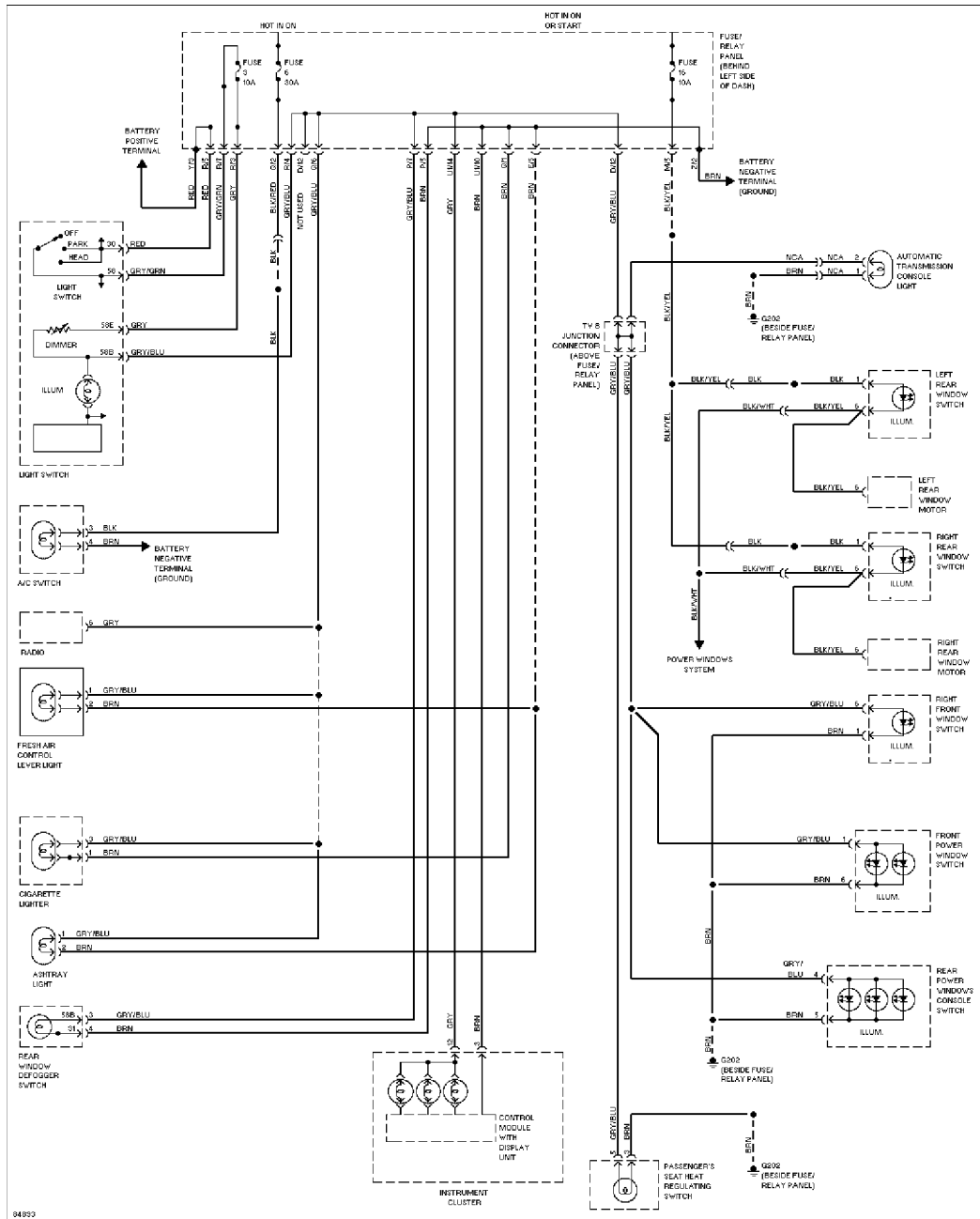
Article Text (p. 23)

1996 Volkswagen Passat

For <http://volkswagen.msk.ru>

Copyright © 1998 Mitchell Repair Information Company, LLC

Sunday, January 28, 2001 11:45PM



Instrument Illumination Circuit

POWER DISTRIBUTION

SYSTEM WIRING DIAGRAMS

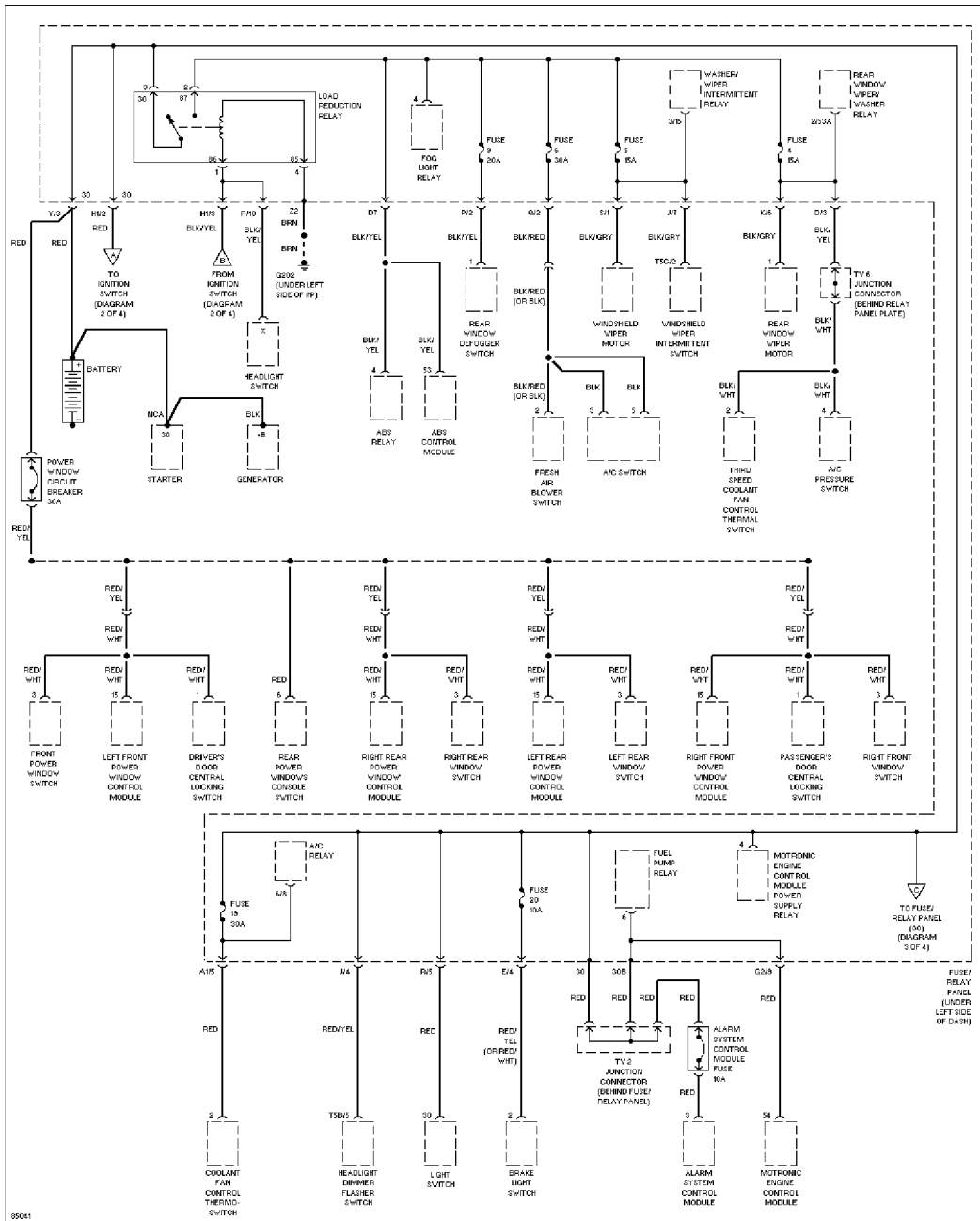
Article Text (p. 24)

1996 Volkswagen Passat

For <http://volkswagen.msk.ru>

Copyright © 1998 Mitchell Repair Information Company, LLC

Sunday, January 28, 2001 11:45PM



Power Distribution Circuit (1 of 4)

SYSTEM WIRING DIAGRAMS

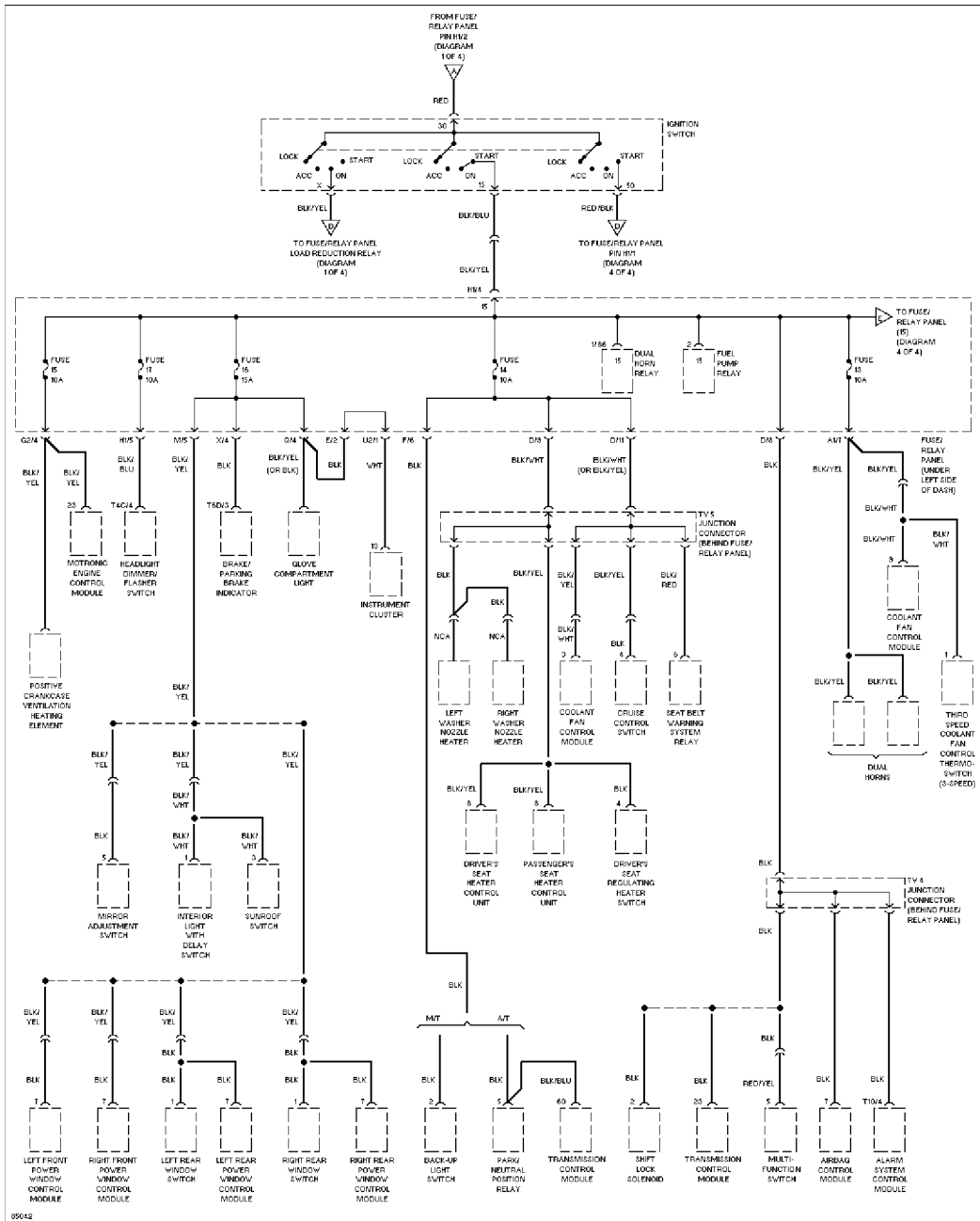
Article Text (p. 25)

1996 Volkswagen Passat

For <http://volkswagen.msk.ru>

Copyright © 1998 Mitchell Repair Information Company, LLC

Sunday, January 28, 2001 11:45PM



Power Distribution Circuit (2 of 4)

SYSTEM WIRING DIAGRAMS

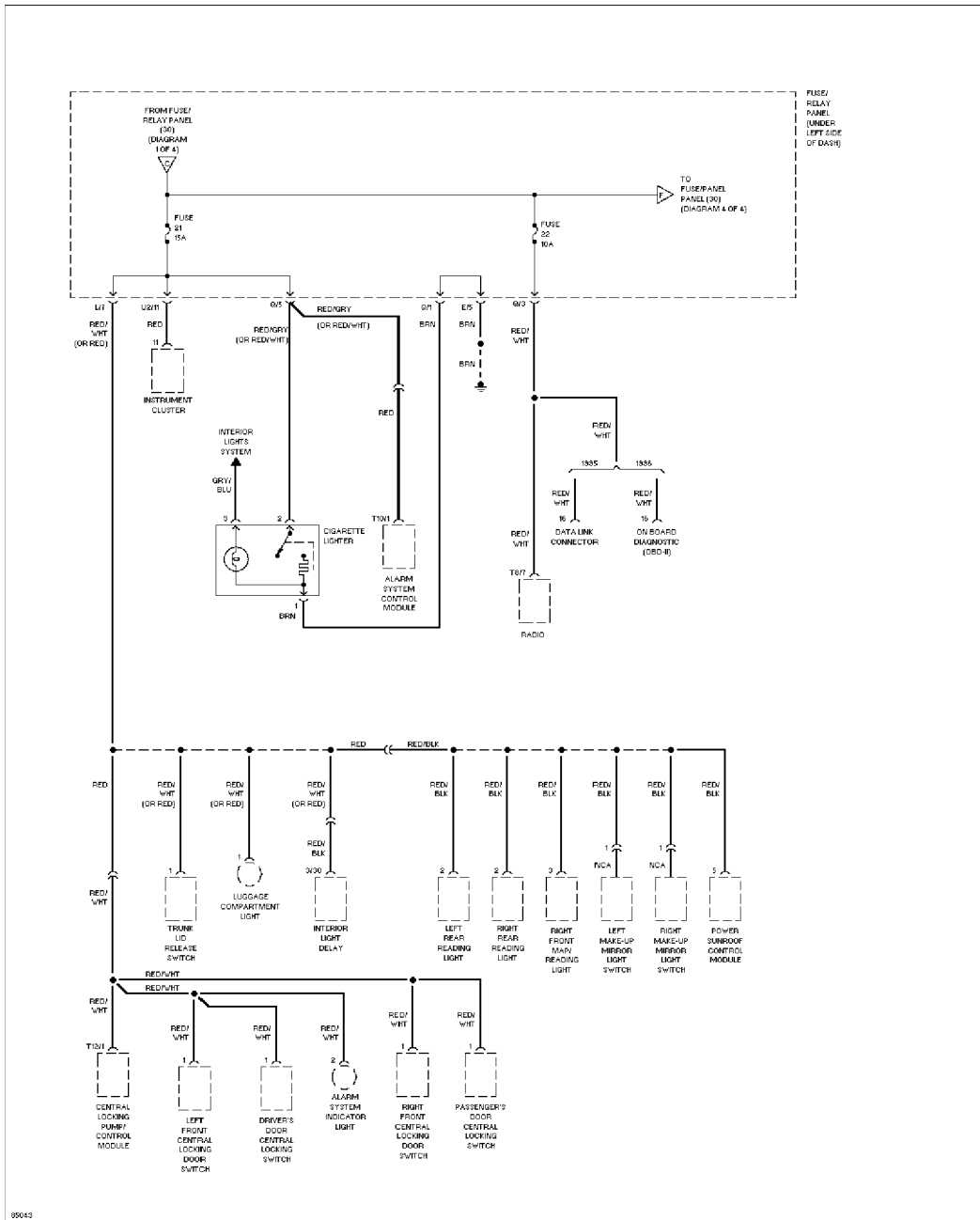
Article Text (p. 26)

1996 Volkswagen Passat

For <http://volkswagen.msk.ru>

Copyright © 1998 Mitchell Repair Information Company, LLC

Sunday, January 28, 2001 11:45PM



Power Distribution Circuit (3 of 4)

SYSTEM WIRING DIAGRAMS

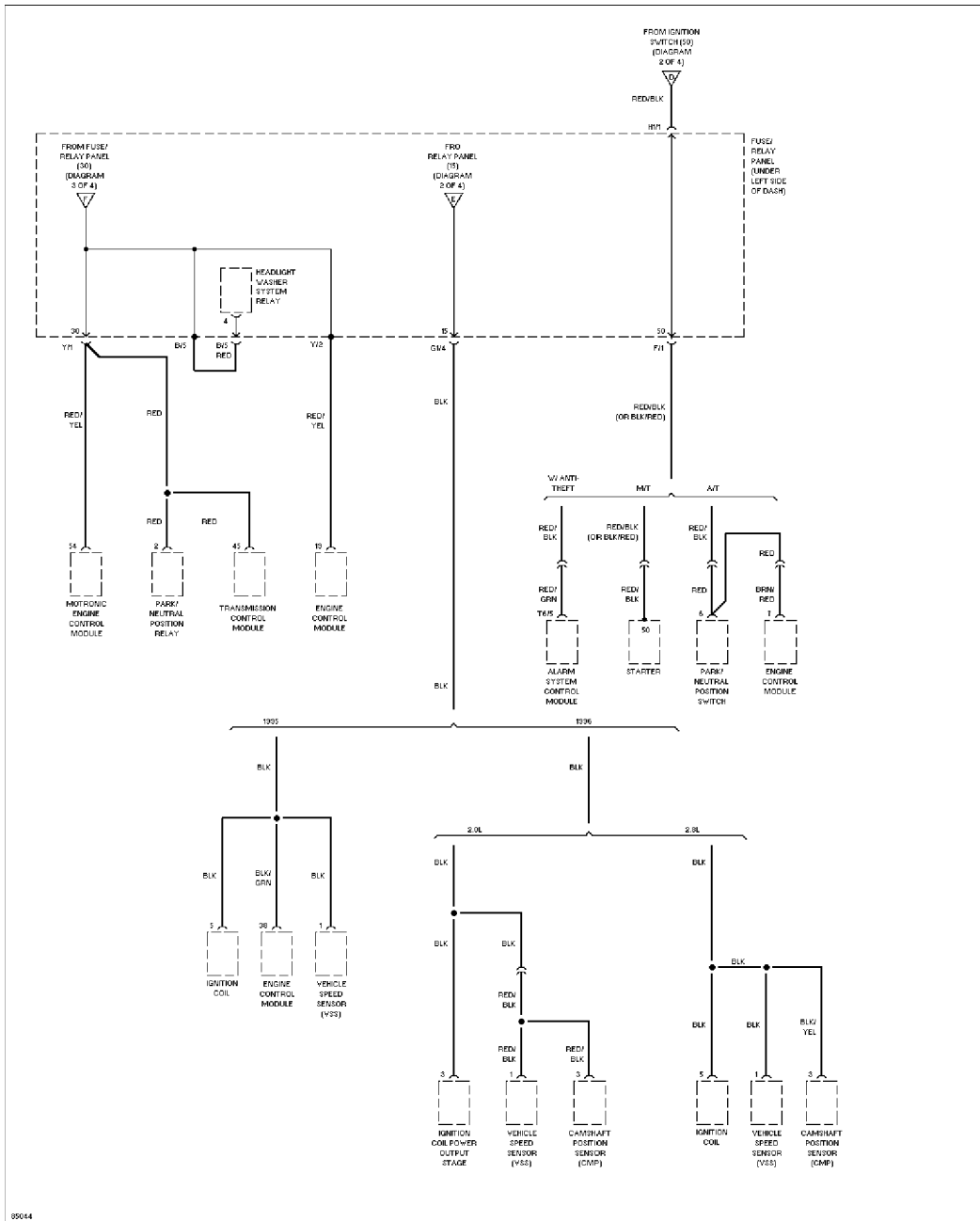
Article Text (p. 27)

1996 Volkswagen Passat

For <http://volkswagen.msk.ru>

Copyright © 1998 Mitchell Repair Information Company, LLC

Sunday, January 28, 2001 11:45PM



Power Distribution Circuit (4 of 4)

POWER DOOR LOCKS

SYSTEM WIRING DIAGRAMS

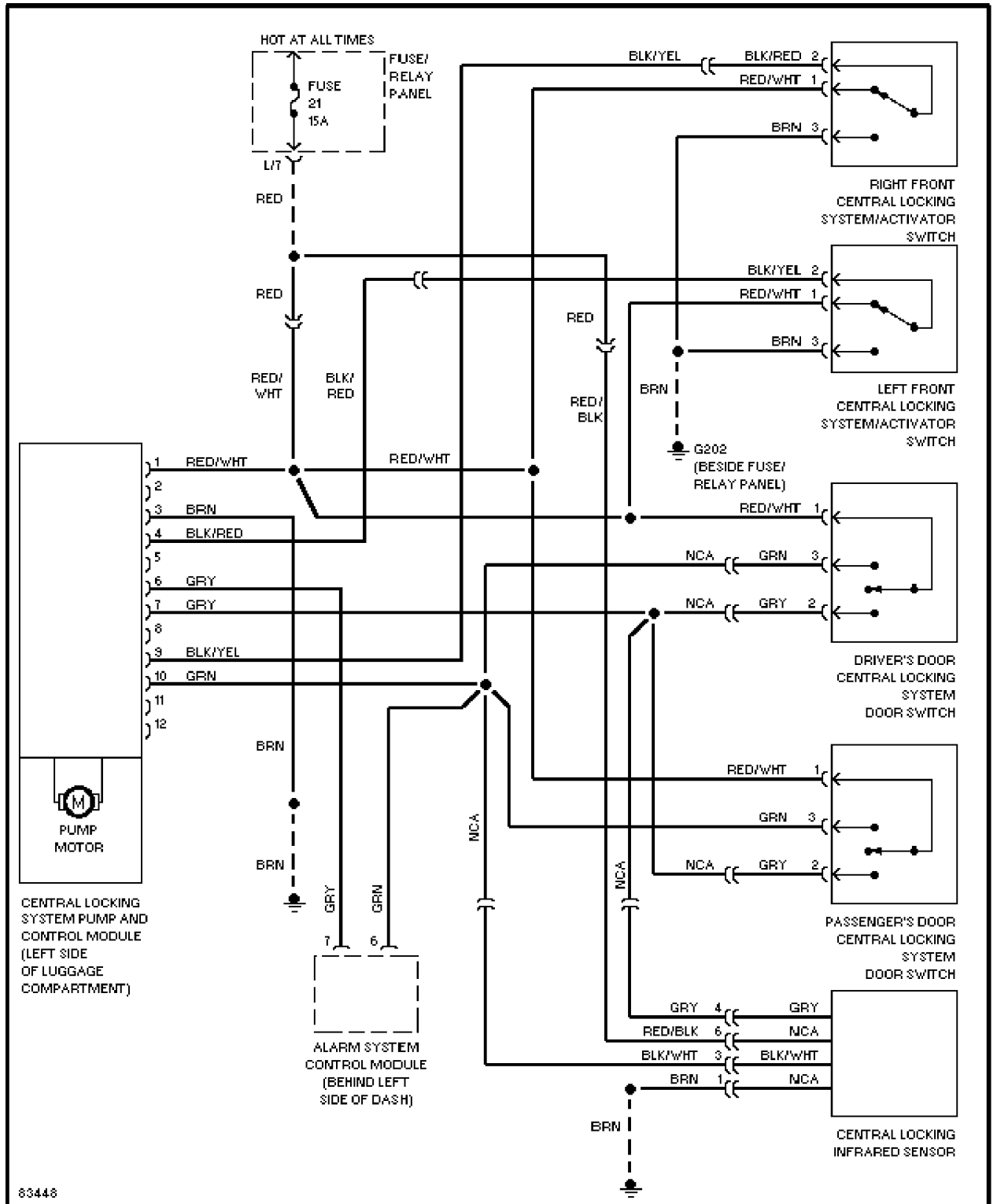
Article Text (p. 28)

1996 Volkswagen Passat

For <http://volkswagen.msk.ru>

Copyright © 1998 Mitchell Repair Information Company, LLC

Sunday, January 28, 2001 11:45PM



Power Door Lock Circuit

POWER MIRRORS

SYSTEM WIRING DIAGRAMS

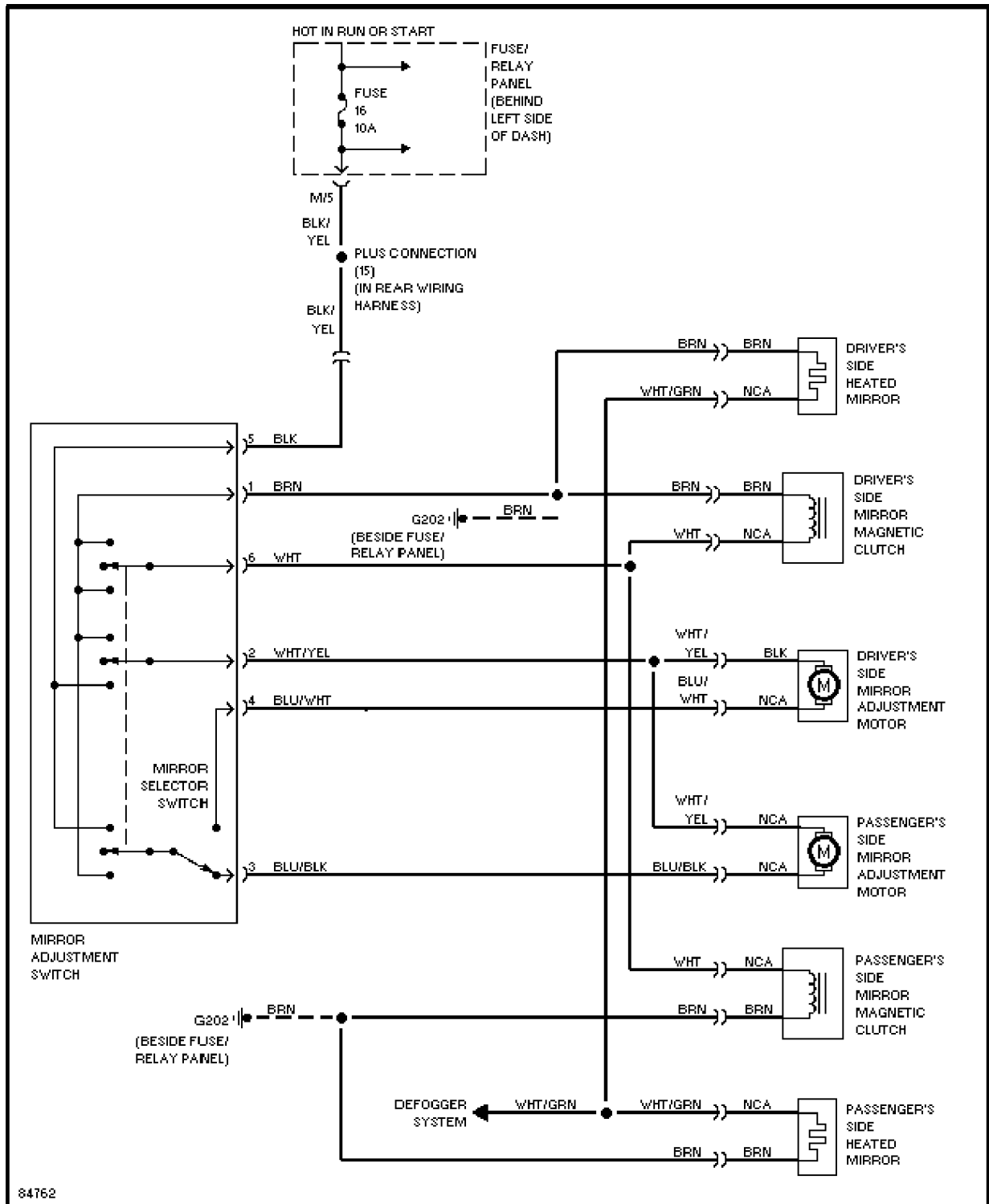
Article Text (p. 29)

1996 Volkswagen Passat

For <http://volkswagen.msk.ru>

Copyright © 1998 Mitchell Repair Information Company, LLC

Sunday, January 28, 2001 11:45PM



Power Mirror Circuit

POWER SEATS

SYSTEM WIRING DIAGRAMS

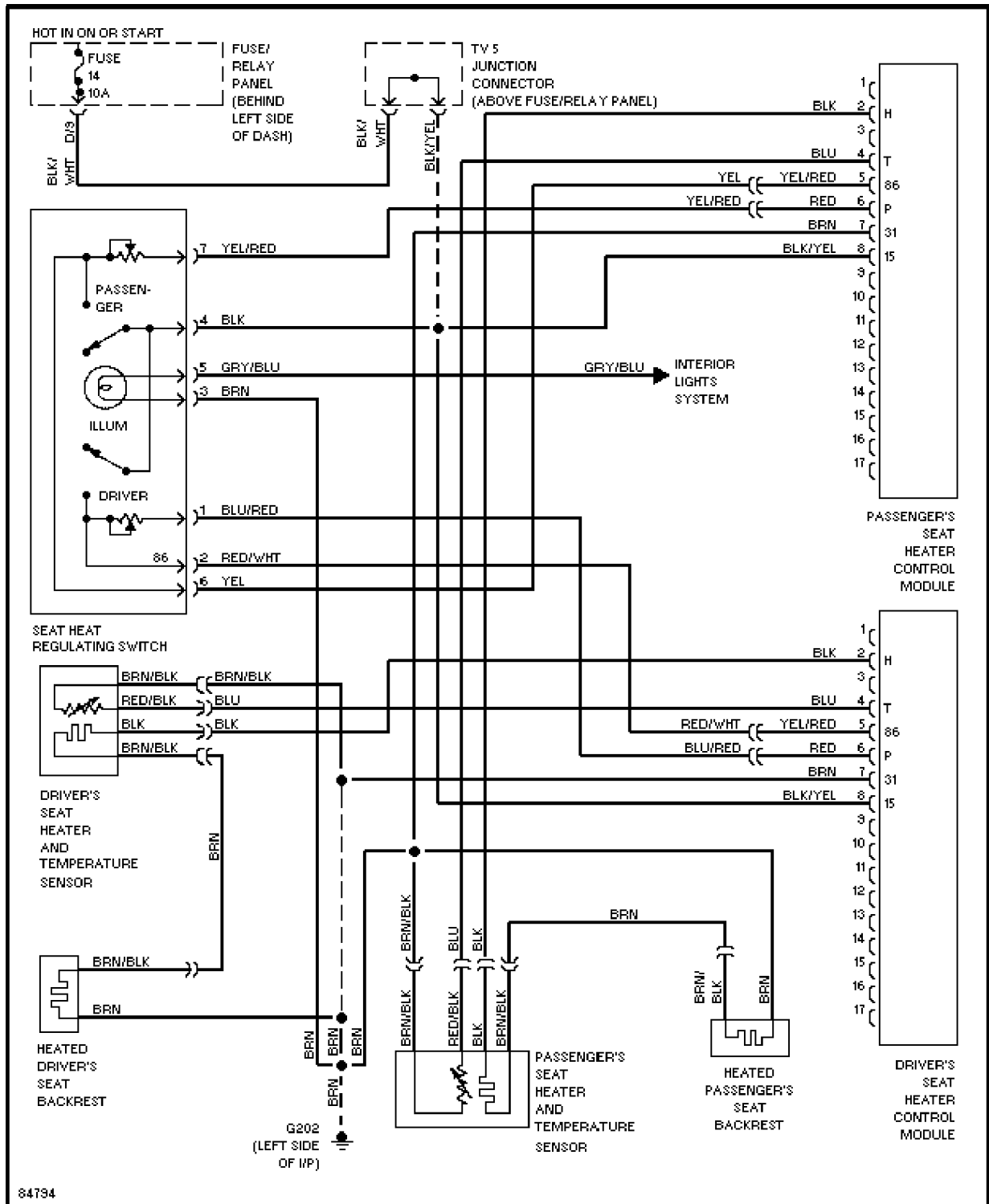
Article Text (p. 30)

1996 Volkswagen Passat

For <http://volkswagen.msk.ru>

Copyright © 1998 Mitchell Repair Information Company, LLC

Sunday, January 28, 2001 11:45PM



Heated Seats Circuit

POWER TOP/SUNROOF

SYSTEM WIRING DIAGRAMS

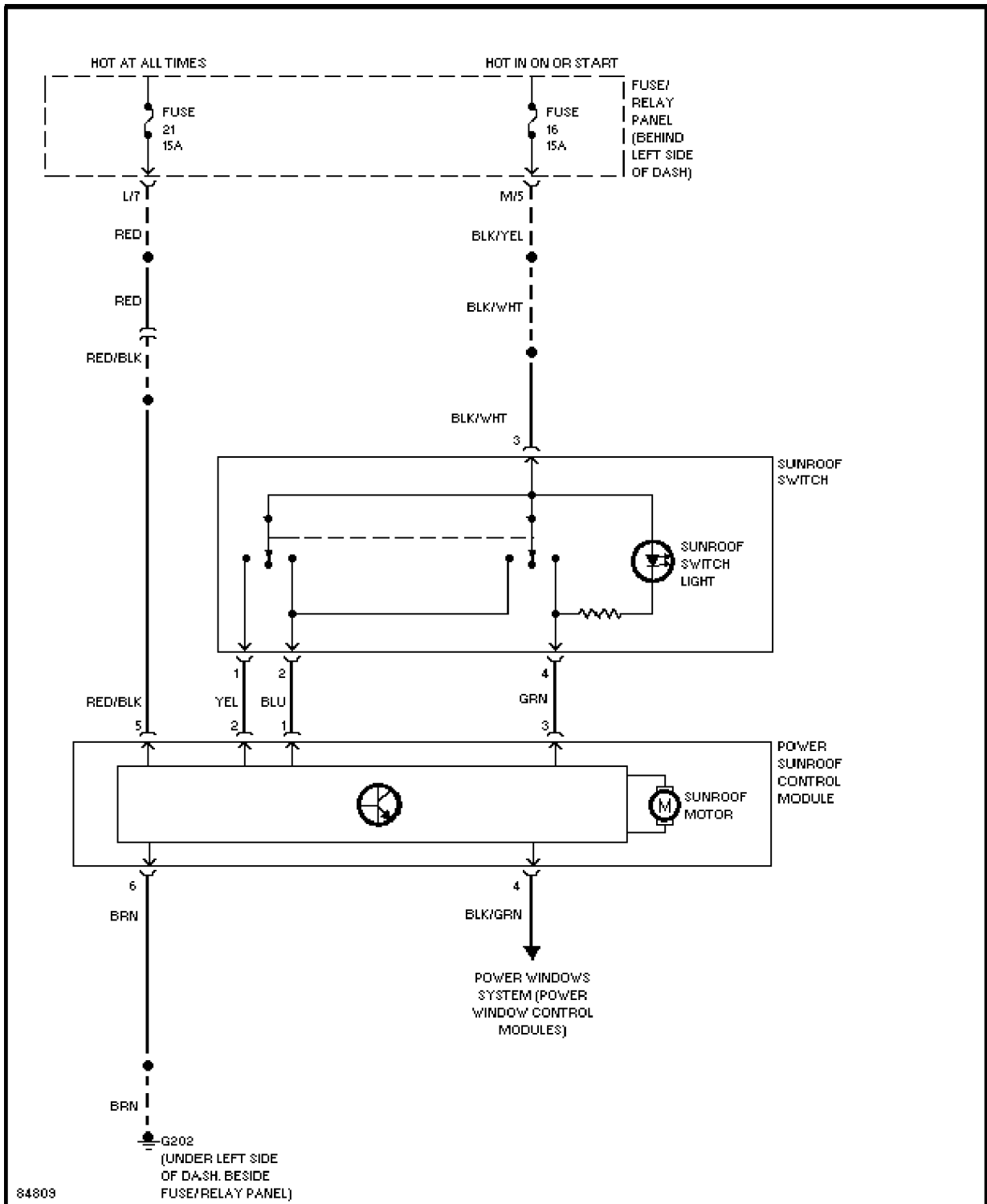
Article Text (p. 31)

1996 Volkswagen Passat

For <http://volkswagen.msk.ru>

Copyright © 1998 Mitchell Repair Information Company, LLC

Sunday, January 28, 2001 11:45PM



Sunroof Circuit

POWER WINDOWS

SYSTEM WIRING DIAGRAMS

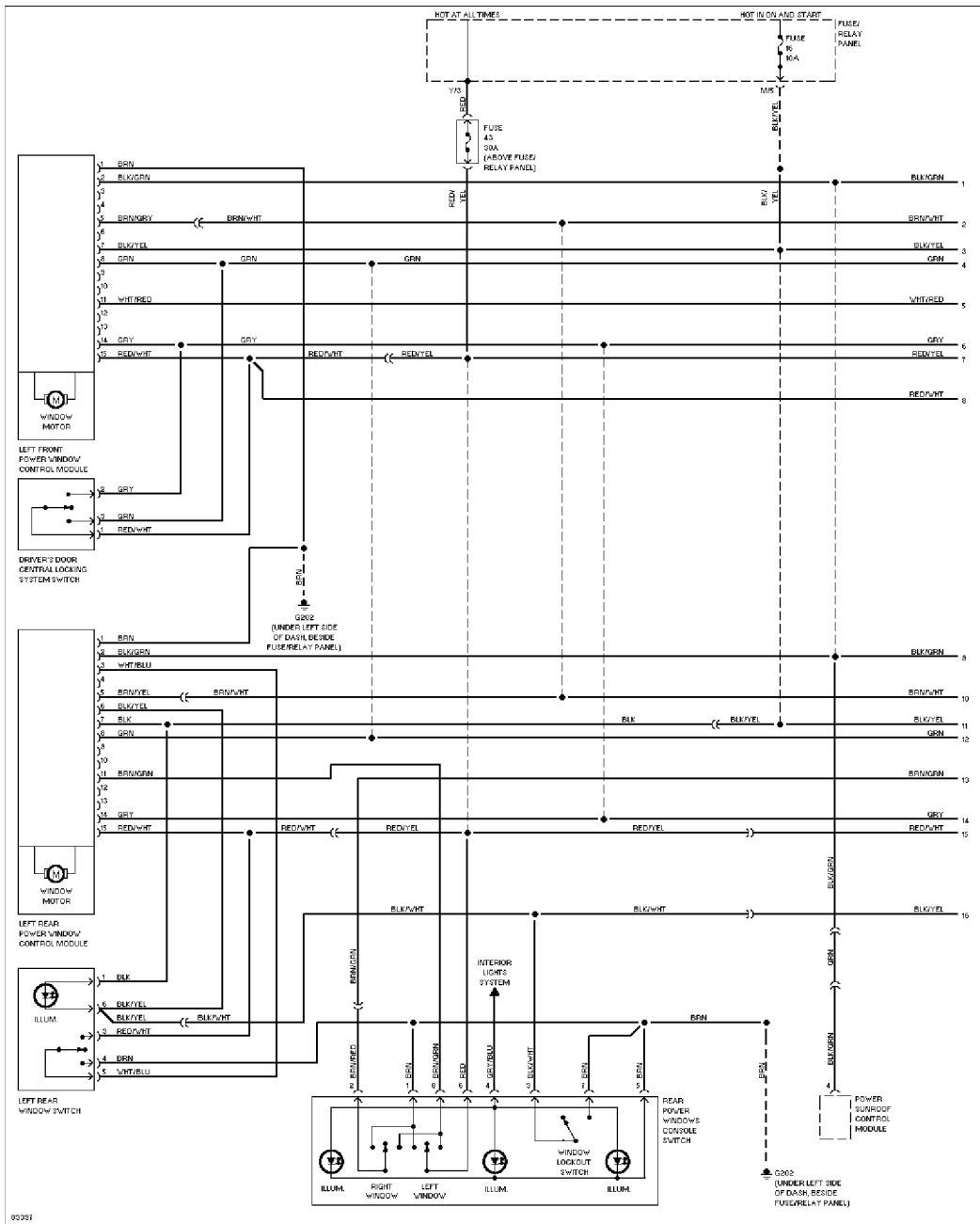
Article Text (p. 32)

1996 Volkswagen Passat

For <http://volkswagen.msk.ru>

Copyright © 1998 Mitchell Repair Information Company, LLC

Sunday, January 28, 2001 11:45PM



Power Window Circuit (1 of 2)

SYSTEM WIRING DIAGRAMS

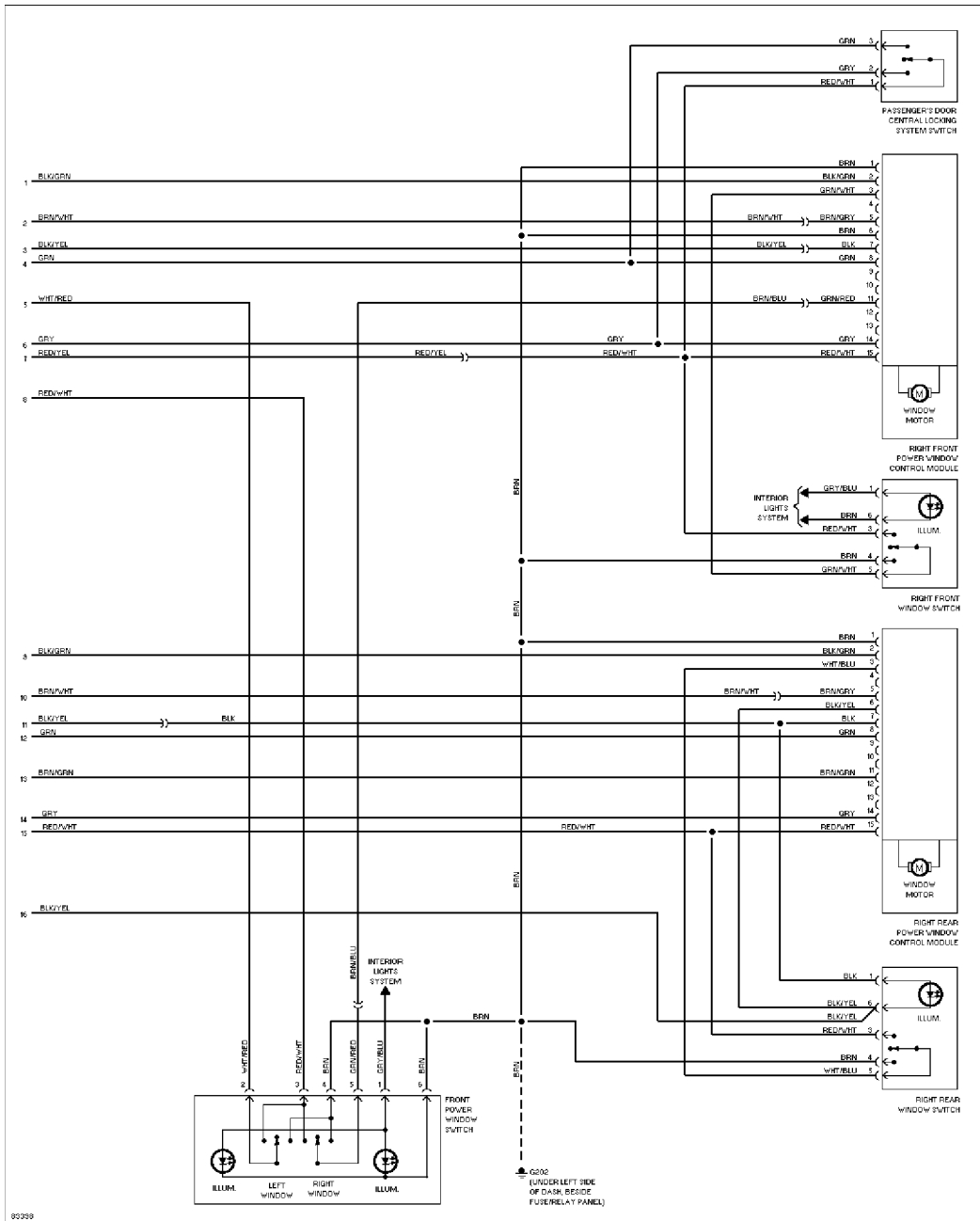
Article Text (p. 33)

1996 Volkswagen Passat

For <http://volkswagen.msk.ru>

Copyright © 1998 Mitchell Repair Information Company, LLC

Sunday, January 28, 2001 11:45PM



Power Window Circuit (2 of 2)

SHIFT INTERLOCKS

SYSTEM WIRING DIAGRAMS

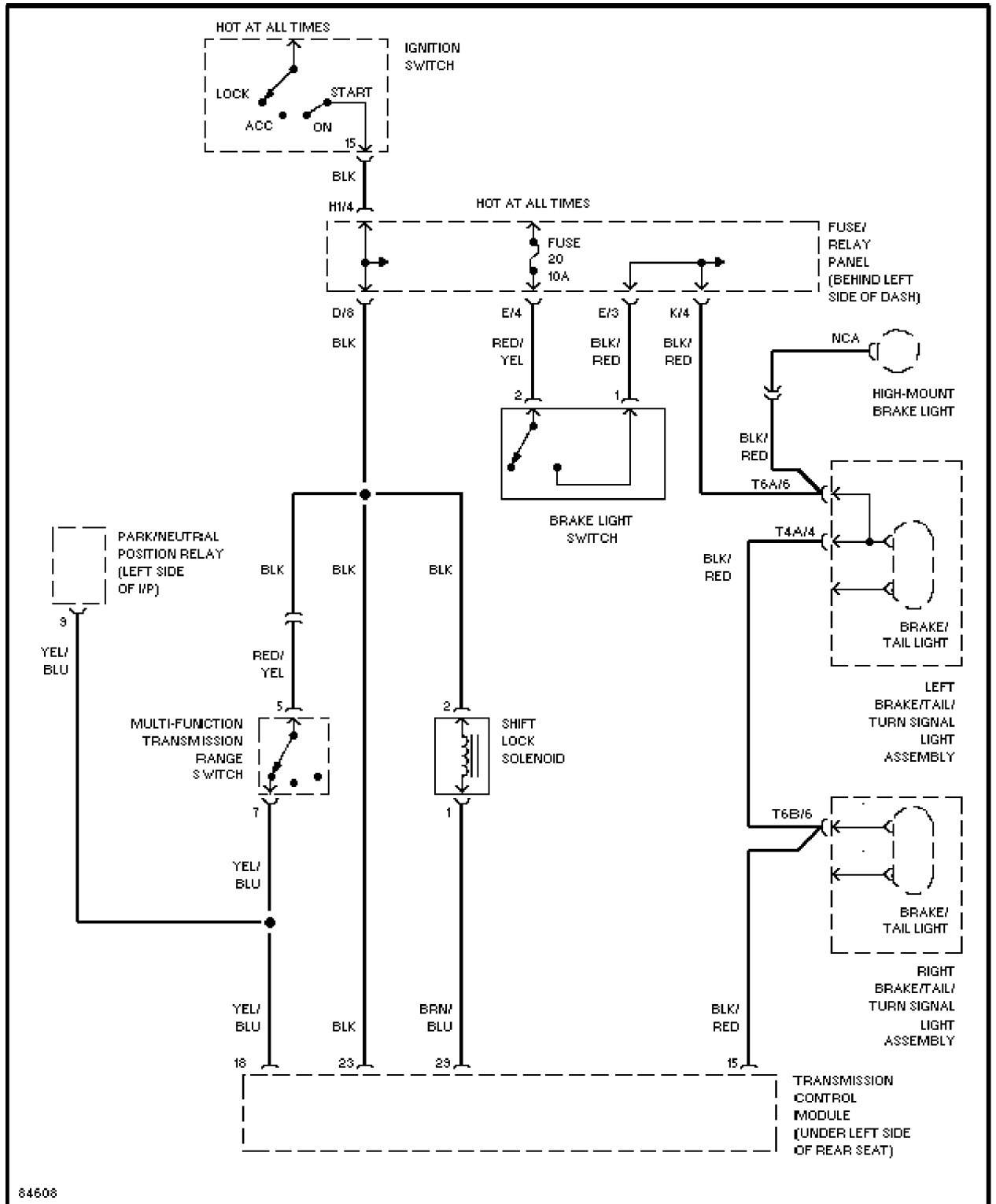
Article Text (p. 34)

1996 Volkswagen Passat

For <http://volkswagen.msk.ru>

Copyright © 1998 Mitchell Repair Information Company, LLC

Sunday, January 28, 2001 11:45PM



Shift Interlock Circuit

STARTING/CHARGING

SYSTEM WIRING DIAGRAMS

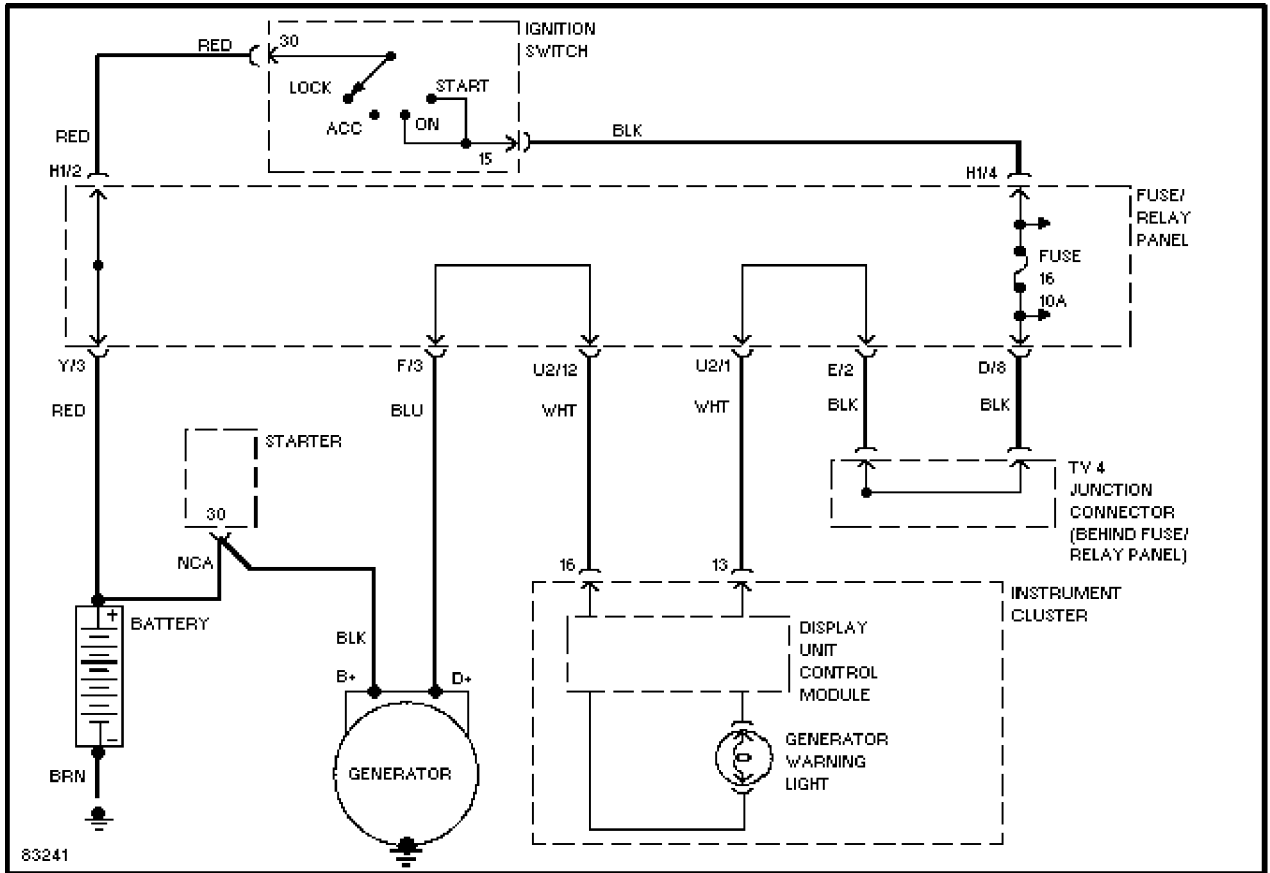
Article Text (p. 35)

1996 Volkswagen Passat

For <http://volkswagen.msk.ru>

Copyright © 1998 Mitchell Repair Information Company, LLC

Sunday, January 28, 2001 11:45PM



Charging Circuit

SYSTEM WIRING DIAGRAMS

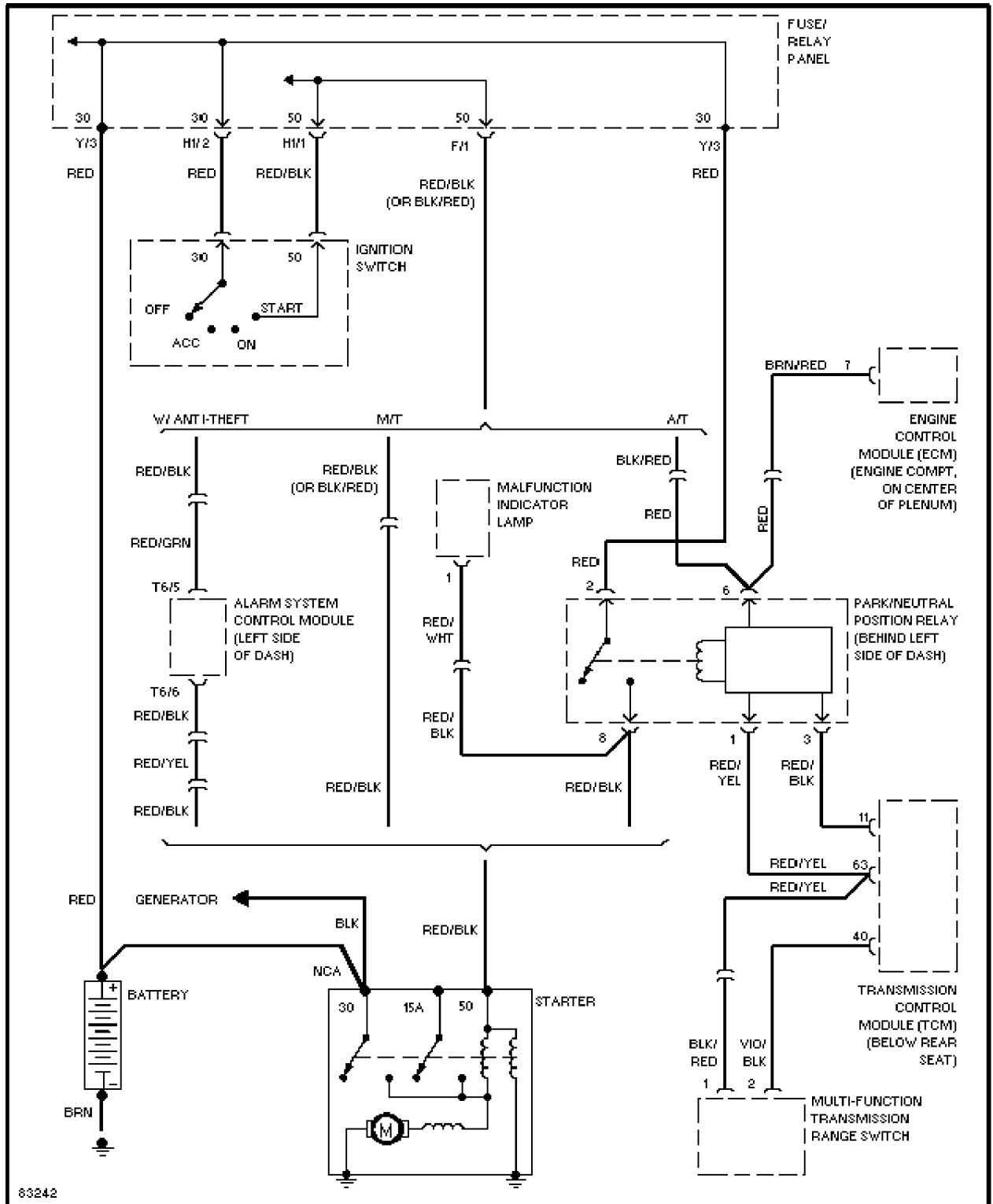
Article Text (p. 36)

1996 Volkswagen Passat

For <http://volkswagen.msk.ru>

Copyright © 1998 Mitchell Repair Information Company, LLC

Sunday, January 28, 2001 11:45PM



Starting Circuit

SUPPLEMENTAL RESTRAINTS

SYSTEM WIRING DIAGRAMS

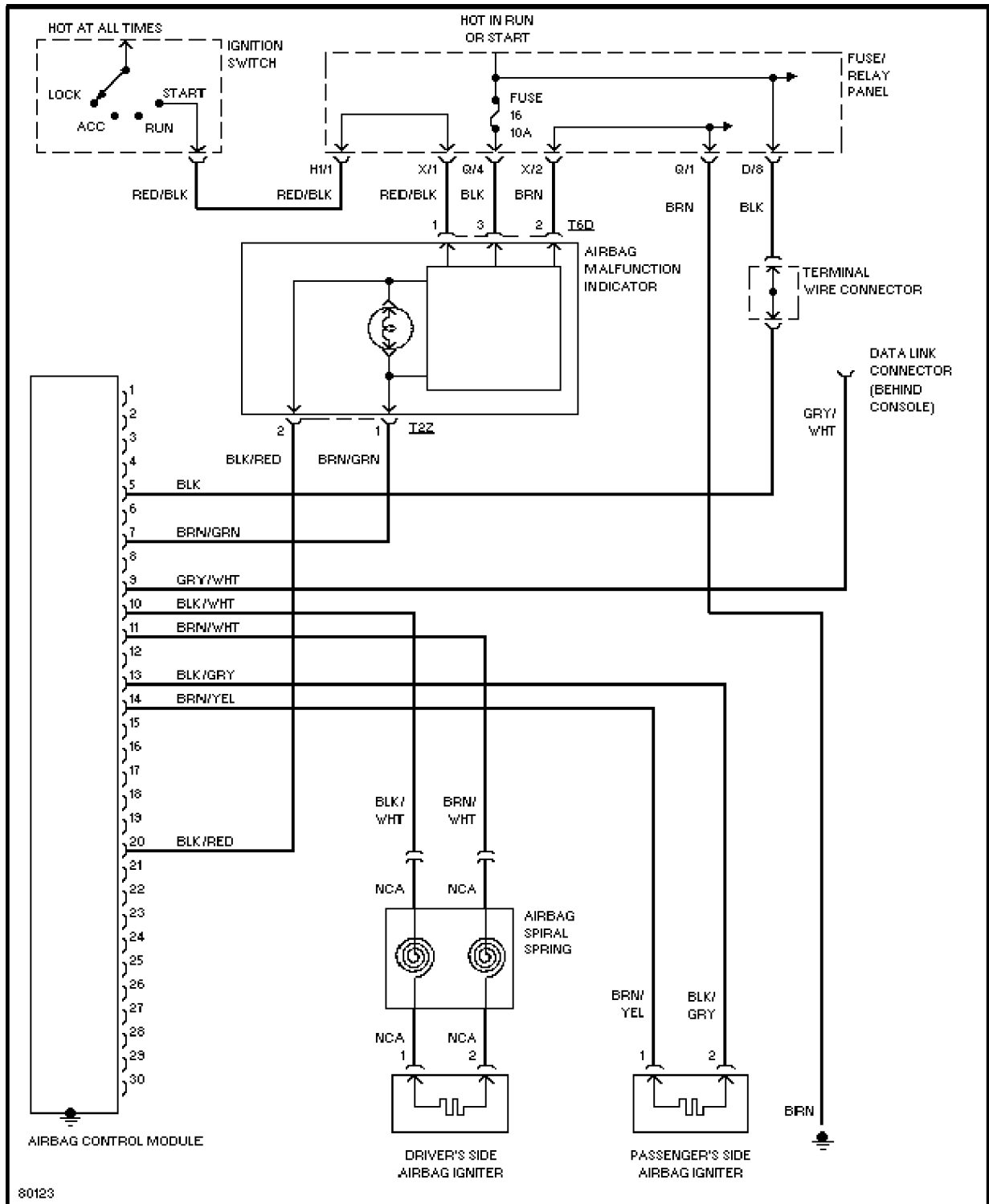
Article Text (p. 37)

1996 Volkswagen Passat

For <http://volkswagen.msk.ru>

Copyright © 1998 Mitchell Repair Information Company, LLC

Sunday, January 28, 2001 11:45PM



Supplemental Restraint Circuit

TRANSMISSION

SYSTEM WIRING DIAGRAMS

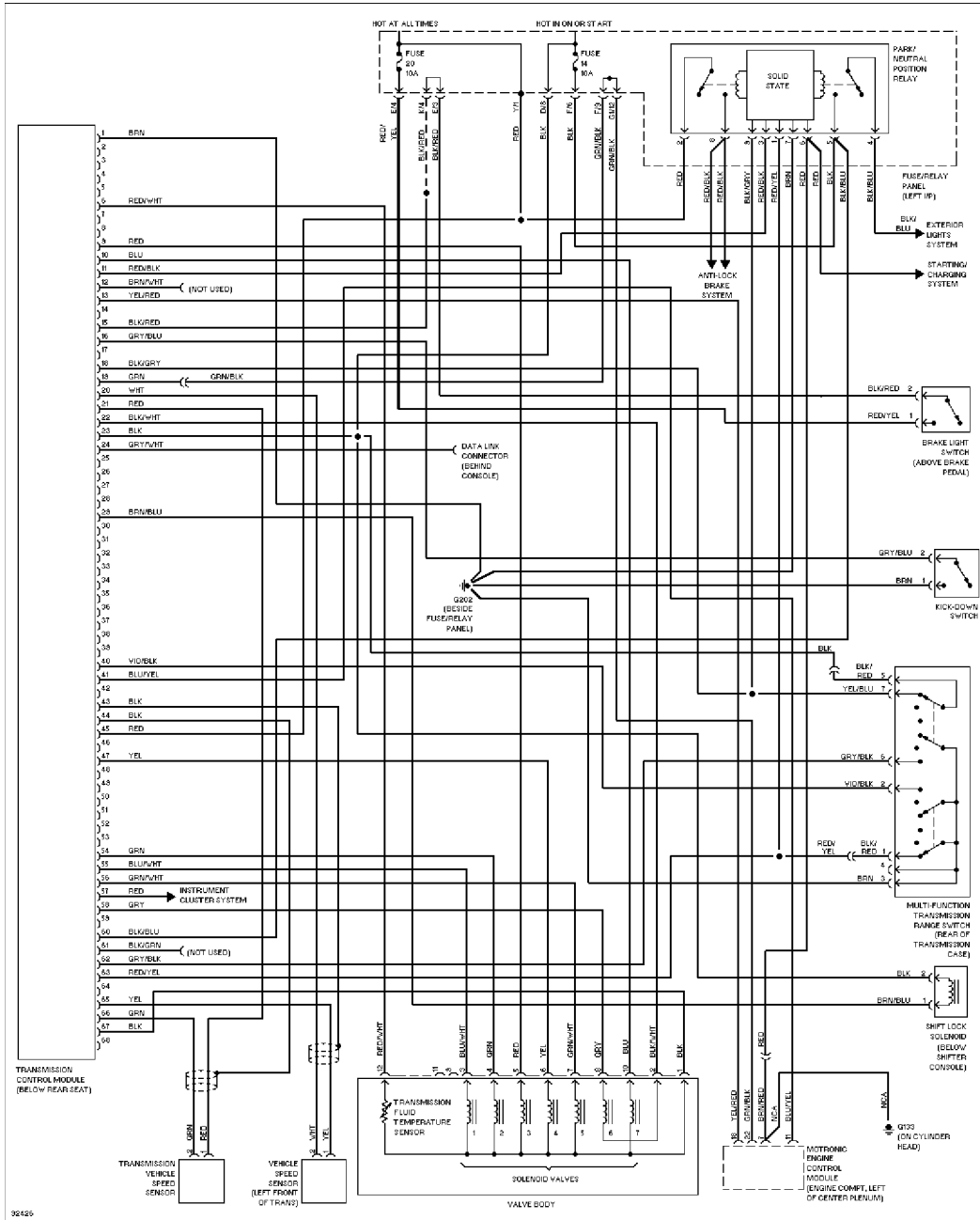
Article Text (p. 38)

1996 Volkswagen Passat

For <http://volkswagen.msk.ru>

Copyright © 1998 Mitchell Repair Information Company, LLC

Sunday, January 28, 2001 11:45PM



Transmission Circuit

TRUNK, TAILGATE, FUEL DOOR

SYSTEM WIRING DIAGRAMS

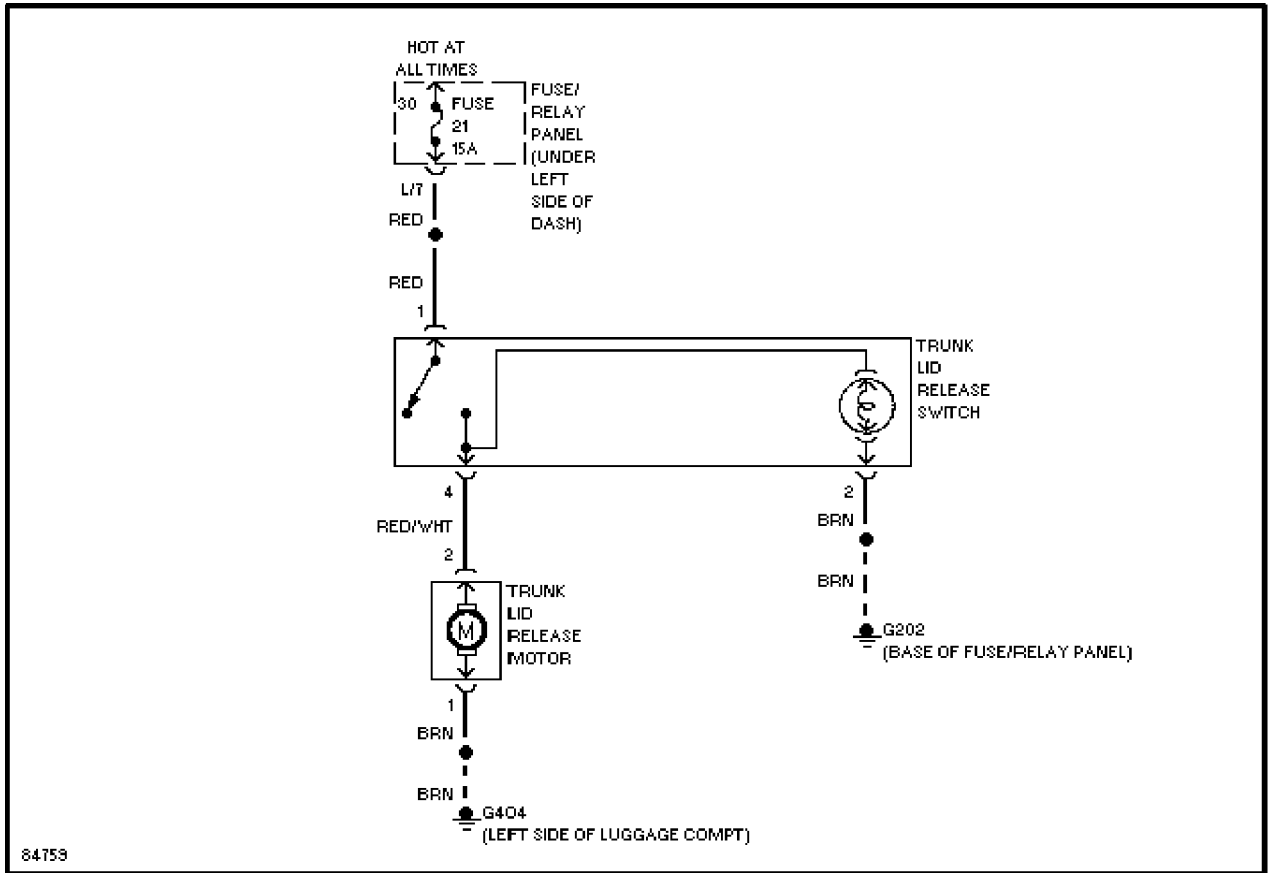
Article Text (p. 39)

1996 Volkswagen Passat

For <http://volkswagen.msk.ru>

Copyright © 1998 Mitchell Repair Information Company, LLC

Sunday, January 28, 2001 11:45PM



Trunk Release Circuit

WARNING SYSTEMS

SYSTEM WIRING DIAGRAMS

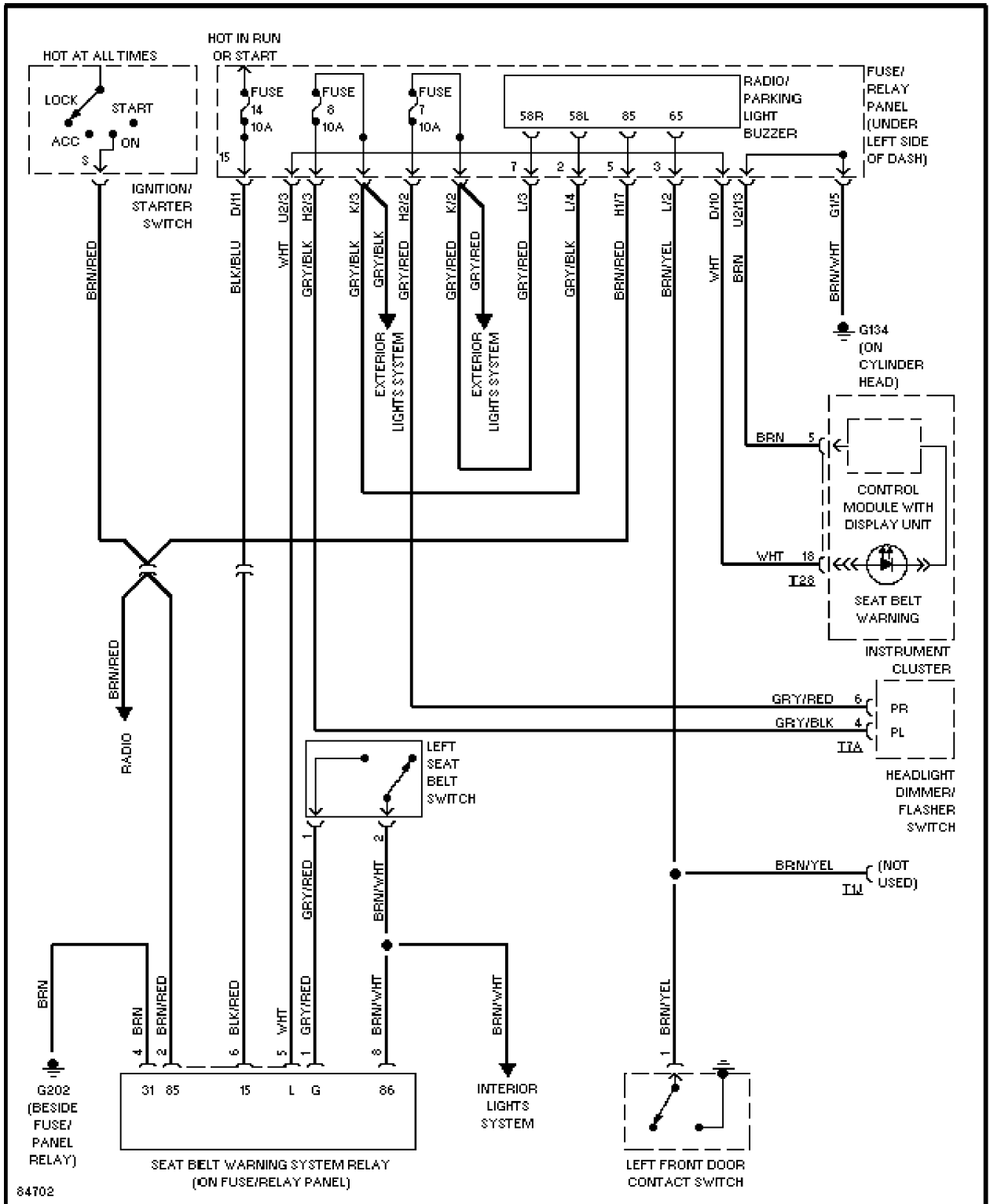
Article Text (p. 40)

1996 Volkswagen Passat

For <http://volkswagen.msk.ru>

Copyright © 1998 Mitchell Repair Information Company, LLC

Sunday, January 28, 2001 11:45PM



Warning System Circuits

WIPER/WASHER

SYSTEM WIRING DIAGRAMS

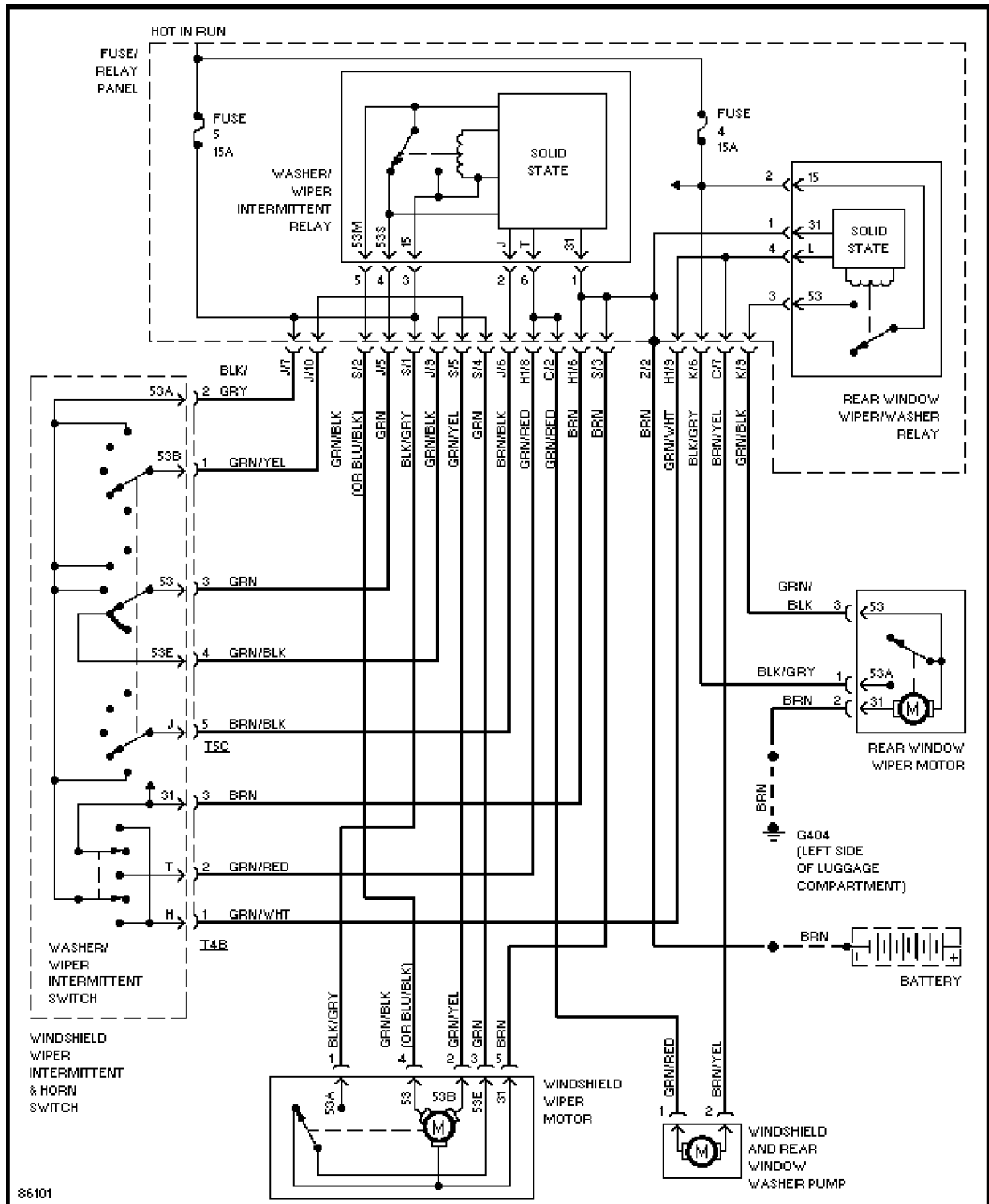
Article Text (p. 41)

1996 Volkswagen Passat

For <http://volkswagen.msk.ru>

Copyright © 1998 Mitchell Repair Information Company, LLC

Sunday, January 28, 2001 11:45PM



Front Washer/Wiper Circuit

SYSTEM WIRING DIAGRAMS

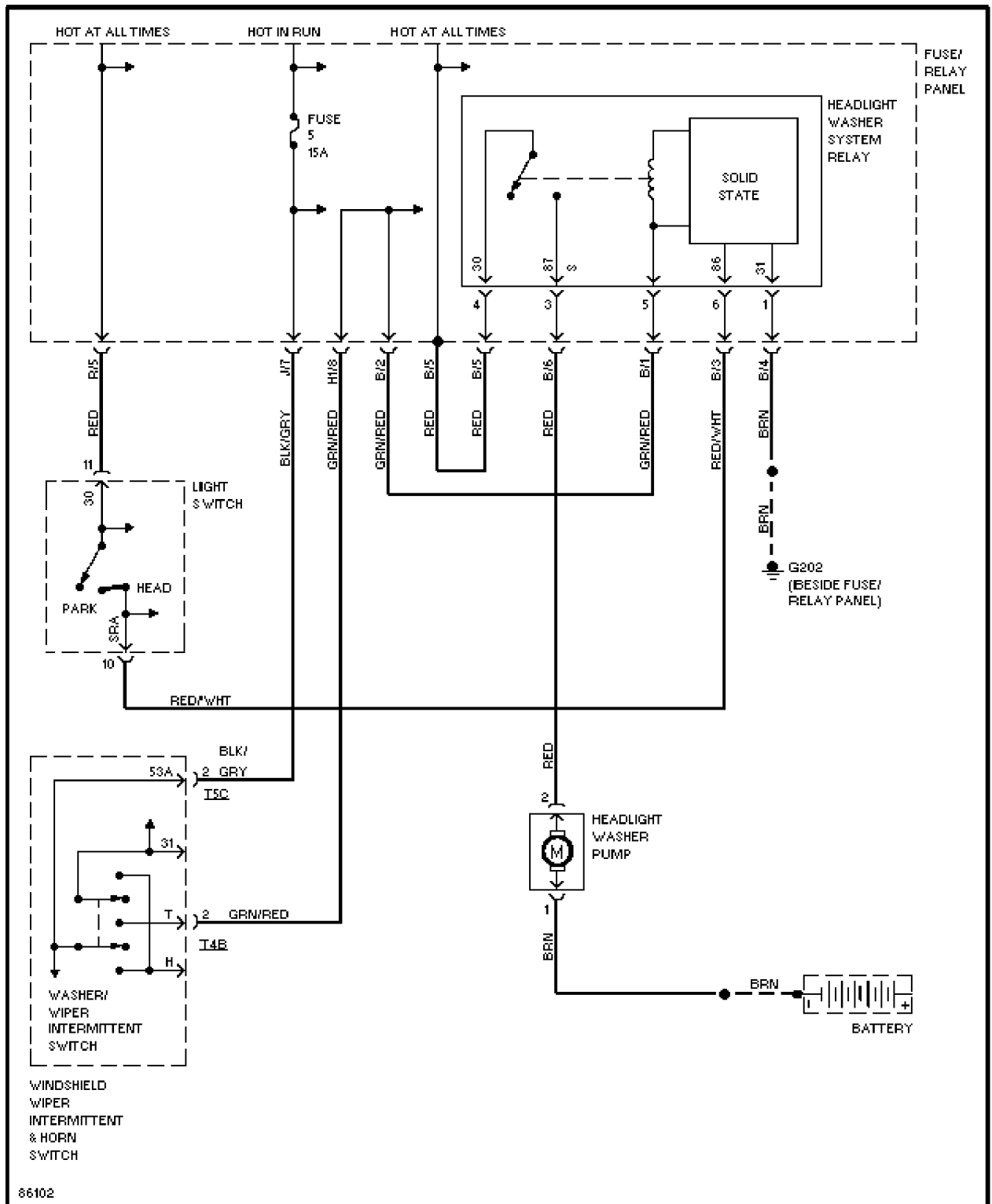
Article Text (p. 42)

1996 Volkswagen Passat

For <http://volkswagen.msk.ru>

Copyright © 1998 Mitchell Repair Information Company, LLC

Sunday, January 28, 2001 11:45PM



Headlamp Washer Circuit

SYSTEM WIRING DIAGRAMS

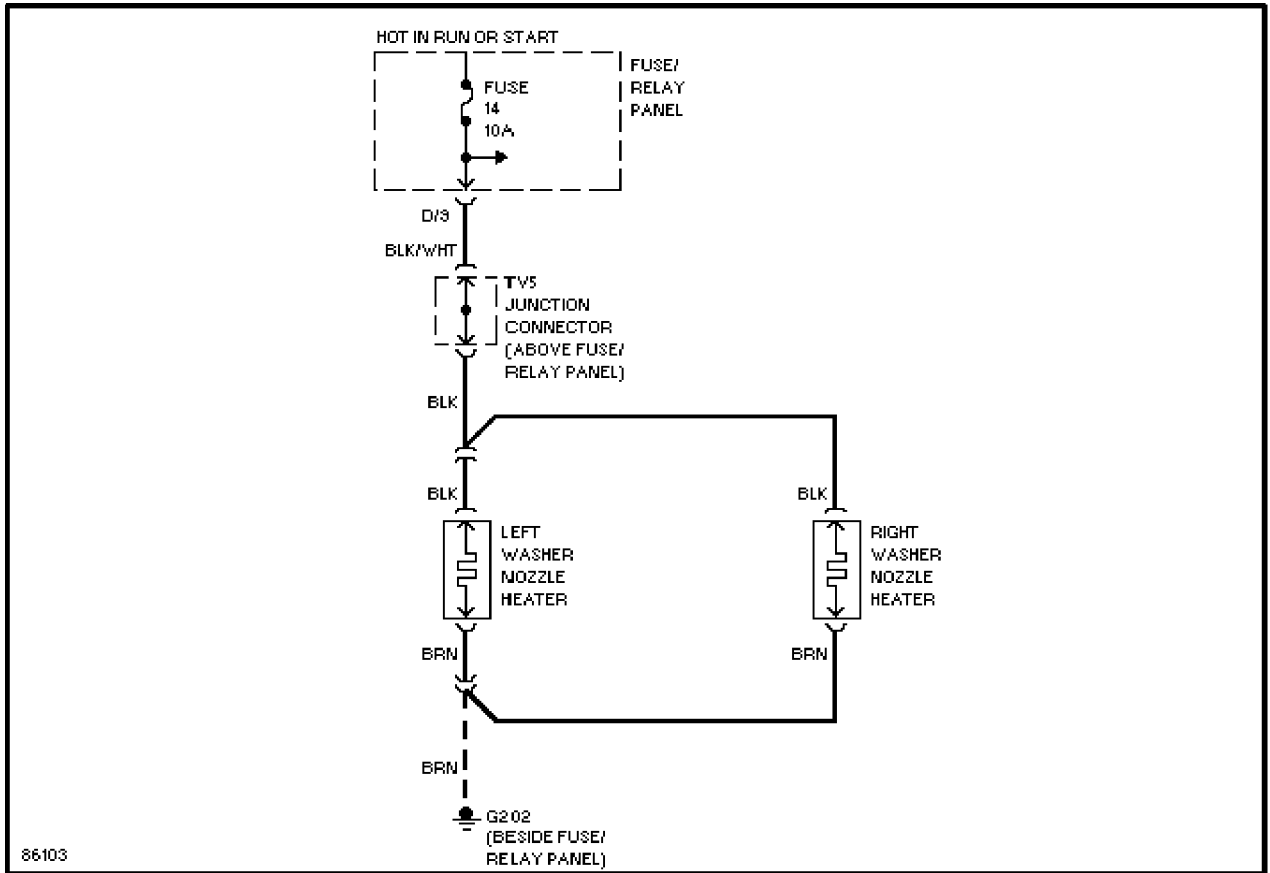
Article Text (p. 43)

1996 Volkswagen Passat

For <http://volkswagen.msk.ru>

Copyright © 1998 Mitchell Repair Information Company, LLC

Sunday, January 28, 2001 11:45PM



Heated Windshield Washer Circuit

END OF ARTICLE